

## 165 ES

### Woofer

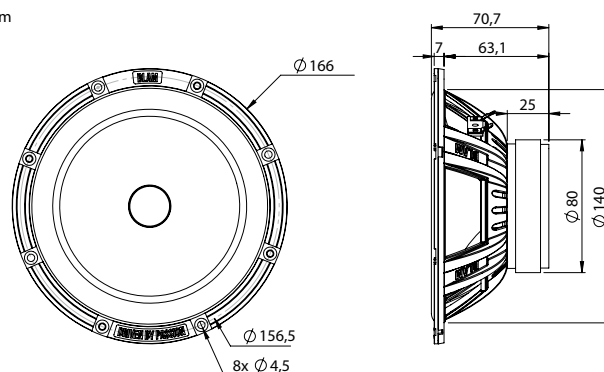
- Woofer 6-1/2" (165 mm)
- Max power 120 W / Nom. power 60 W
- Frequency response 65 Hz - 8 KHz
- Sensibility 93,3 dB
- Impedance 2 Ohms

#### TECHNICAL SPECIFICATIONS

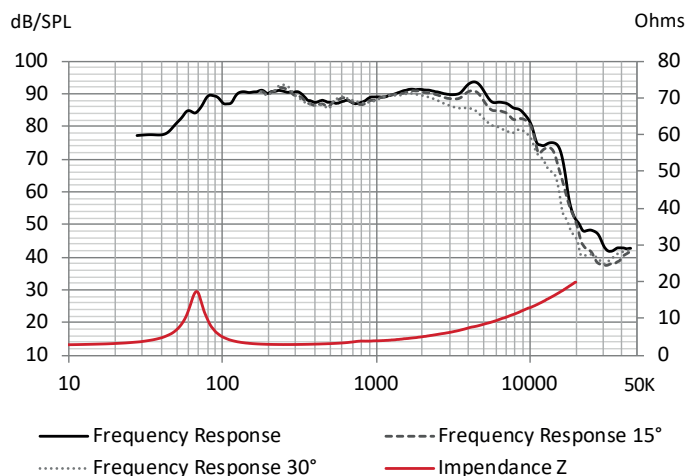
Component	Speakers	
Max power	120 W	
Nominal power	60 W	
Impedance	2 Ω	
Freq. Response	65 Hz - 8 KHz	
Sensitivity (2,83V/1m)	93.3 dB	
Magnet	Ferrite	
Magnet size Ø x h	80 x 15 mm	3.150" x 0.591"
Total driver displacement	0.2 l	0.007 cf
Weight of one component	0.86 kg	1.896 lb
Voice coil Ø	25 mm	0.984"
Voice coil height	10.6 mm	0.417"
Cone	Cellulose pulp	



Unit : mm



#### FREQUENCY RESPONSE / IMPEDANCE



#### THIELE-SMALL PARAMETERS

effective Ø (d)	130 mm
Sd	132.73 cm <sup>2</sup>
Xmax	2.8 mm
Re	2.5 Ω
Fs	67.66 Hz
Le	122.49 µH @ 1 kHz
L2	266.16 µH @ 10 kHz
Vas	11.02 L
Mms	12.42 g
Cms	0.000445 m/N
BL	4.18 Tm
Qts	0.67
Qes	0.78
Qms	4.52
Sensitivity (dB/W/m)	88.3 dB

## ET 20

### Tweeter

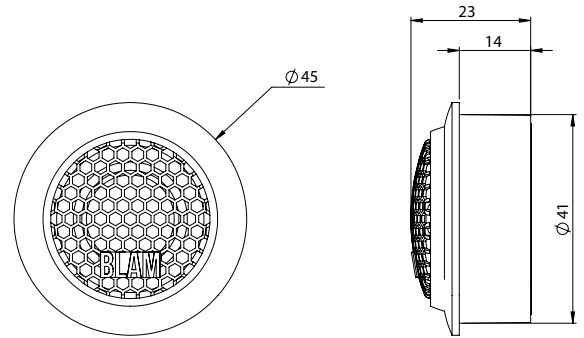
- Hi fidelity 20 mm soft dôme tweeter
- Hi efficiency magnet (N38 neodymium)
- Hi quality special soft dôme material
- Ferrofluid for hi power handling

#### TECHNICAL SPECIFICATIONS

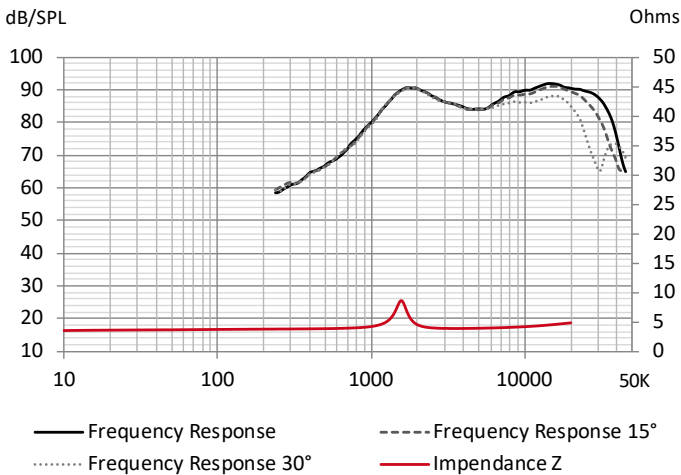
<b>Component</b>	Tweeter	
<b>Max power</b>	100 W	
<b>Nominal power</b>	10 W	
<b>Impedance</b>	3 Ω	
<b>Freq. Response</b>	2.5 KHz - 31 KHz	
<b>Sensitivity (2,83V/1m)</b>	90 dB	
<b>Magnet</b>	Neodymium	
<b>Magnet size Ø x h</b>	18 x 3 mm	0.709" x 0.118"
<b>Total driver displacement</b>	-	-
<b>Weight of one component</b>	0.045 kg	0.099 lb
<b>Voice coil Ø</b>	20 mm	0.787"
<b>Voice coil height</b>	1.5 mm	0.059"
<b>Dome</b>	Soft	



Unit : mm



#### FREQUENCY RESPONSE / IMPEDANCE



#### THIELE-SMALL PARAMETERS

<b>effective Ø (d)</b>	22 mm
<b>Sd</b>	3.80 cm <sup>2</sup>
<b>Xmax</b>	-
<b>Re</b>	3.52 Ω
<b>Fs</b>	1589 Hz
<b>Le</b>	-
<b>L2</b>	-
<b>Vas</b>	-
<b>Mms</b>	-
<b>Cms</b>	-
<b>BL</b>	-
<b>Qts</b>	-
<b>Qes</b>	-
<b>Qms</b>	-
<b>Sensitivity (dB/W/m)</b>	86.4 dB