

RELAX

SR 690

Woofer

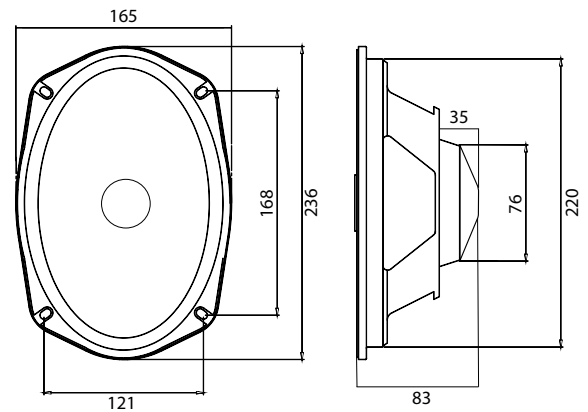
- 6" x 9" woofer
- Integrated 6dB low pass crossover
- Frequency response 60 Hz - 5 kHz
- Power handling Max : 150W Nominal Power : 75W (RMS)
- Sensitivity 93 dB
- Impedance 3 Ω



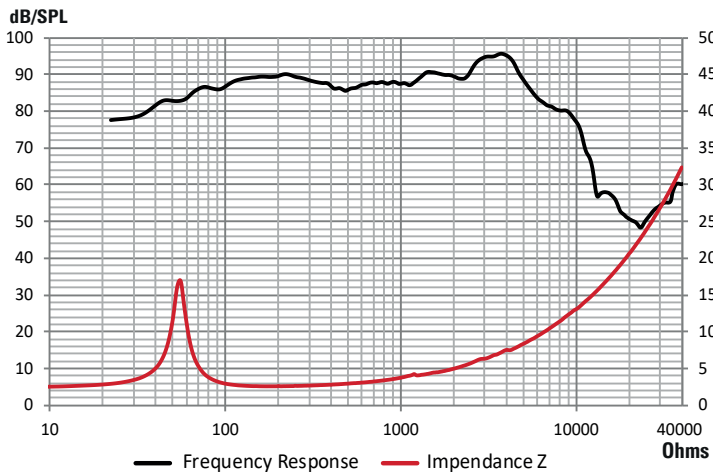
TECHNICAL SPECIFICATIONS

Component	Speakers	
Max power	150 W	
Nominal power	75 W	
Impedance	3 Ω	
Freq. Response	60 Hz - 6 KHz	
Sensitivity (2,83V/1m)	90.6 dB	
Magnet	Neodymium	
Magnet size Ø x h	76 x 23 mm	2.99" x 0.90"
Total driver displacement	0,3l	0,011 cf
Weight of one component	0.77 kg	1.7 lb
Voice coil Ø	25 mm	0,984"
Voice coil height	11 mm	0,433"
Cone	Coated cellulose pulp	

Unit : mm



FREQUENCY RESPONSE / IMPEDANCE



THIELE-SMALL PARAMETERS

effective Ø (d)	164,6 mm
Sd	212,79 cm ²
Xmax	3 mm
Re	3.1 Ω
Fs	62.26 Hz
Le	0.25 µH @ 1 kHz
Le	0.14 µH @ 10 kHz
Vas	20.8 L
Mms	19.86 g
Cms	0.329 m/N
BL	3.65 Tm
Qts	1.33
Qes	1.8
Qms	5.04
Sensitivity (dB/W/m)	86.4 dB

contact@blam-audio.fr
www.facebook.com/blamaudio

www.blam-audio.fr

LIVE

SR 52

High resolution speaker

- Full-range driver 2" (50mm)
- Max. power: 50 W / Nom. power: 25 W
- Frequency response 250 Hz - 25 KHz
- Impedance 4 Ohms

Optimized for sealed enclosure volume from 250 mL to 500 mL
Minimal required cut off frequency : 250 Hz 12 dB/octave

BLAM

FRENCH SOUND

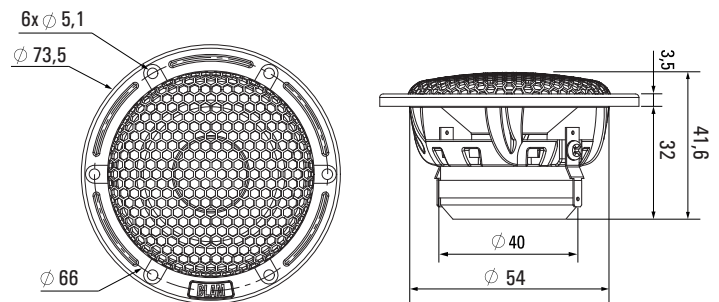
Driven by passion.



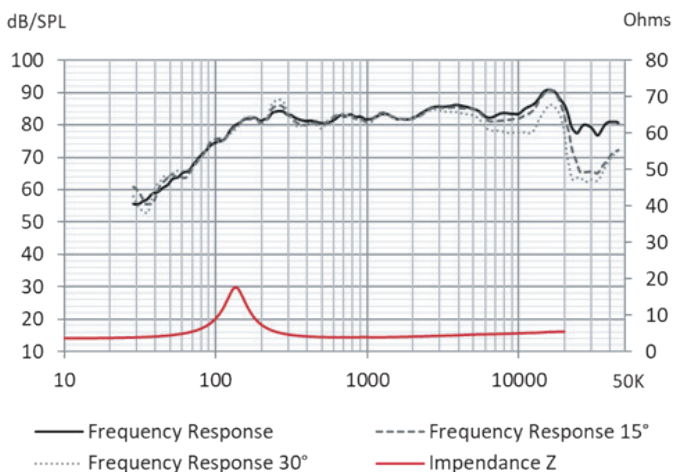
TECHNICAL SPECIFICATIONS

Component	Full-range	
Max power	50 W	
Nominal power	25 W	
Impedance	4 Ω	
Freq. Response	250 Hz - 25 KHz	
Sensitivity (2,83V/1m)	86 dB	
Magnet	Neodymium	
Magnet size Ø x h	40 x 5 mm	1.575" x 0.196"
Total driver displacement	0.02 l	0.01 cf
Weight of one component	0.165 kg	0.364 lb
Voice coil Ø	20 mm	0.803"
Voice coil height	3.5 mm	0.138"
Cone	Honeycomb Sandwich	

Unit in mm



FREQUENCY RESPONSE / IMPEDANCE



THIELE-SMALL PARAMETERS

effective Ø (d)	47 mm
Sd	17.35 cm ²
Xmax	-1 mm
Re	3.72 Ω
Fs	135.88 Hz
Le	16.13 μH @1 kHz
L2	68.02 μH @10 kHz
Vas	0.39 L
Mms	1.50 g
Cms	0.916015 m/N
BL	2.41 Tm
Qts	0.64
Qes	0.82
Qms	2.85
Sensitivity (dB/W/m)	82.6 dB

contact@blam-audio.fr
www.facebook.com/blamaudio
www.blam-audio.com