

# RELAX

# BLAM

FRENCH SOUND

Driven by passion.

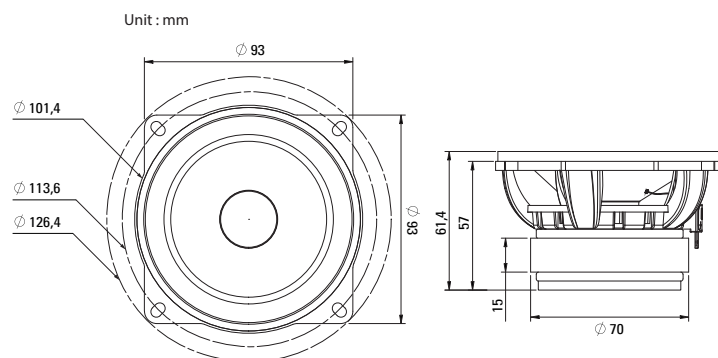
## 100 RF S

High sensitivity speaker

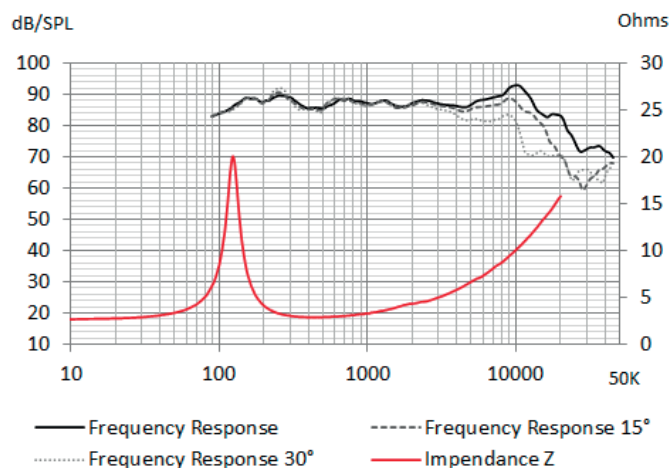
- 100 mm (4") high sensitivity speaker
- Max. power 100 W / Nominal Power 50 W
- Frequency response 80 Hz - 15 kHz
- Impedance 2 Ω

### TECHNICAL SPECIFICATIONS

<b>Component</b>	Speaker	
<b>Max power</b>	100 W	
<b>Nominal power</b>	50 W	
<b>Impedance</b>	2 Ω	
<b>Freq. Response</b>	80 Hz - 15 kHz	
<b>Sensitivity (2,83V/1m)</b>	90.3 dB	
<b>Magnet</b>	Ferrite	
<b>Magnet size Ø x h</b>	70 x 15 mm	2.756 'x 0.591 '
<b>Total driver displacement</b>	0.11 l	0.004 cf
<b>Weight of one component</b>	0.578 kg	1.274 lb
<b>Voice coil Ø</b>	25 mm	0.984
<b>Voice coil height</b>	8.4 mm	0.331
<b>Cone</b>	Cellulose pulp	



### FREQUENCY RESPONSE / IMPEDANCE



### THIELE-SMALL PARAMETERS

<b>effective Ø (d)</b>	84 mm
<b>Sd</b>	55.42 cm <sup>2</sup>
<b>Xmax</b>	2 mm
<b>Re</b>	2.6 Ω
<b>Fs</b>	109.87 Hz
<b>Le</b>	97.33 μH @ 1 kHz
<b>L2</b>	157.34 μH @ 10 kHz
<b>Vas</b>	1.76 L
<b>Mms</b>	5.16 g
<b>Cms</b>	0.000407 m/N
<b>BL</b>	3.49 Tm
<b>Qts</b>	0.66
<b>Qes</b>	0.77
<b>Qms</b>	4.72

contact@blam-audio.fr  
www.facebook.com/blamaudio  
www.blam-audio.com