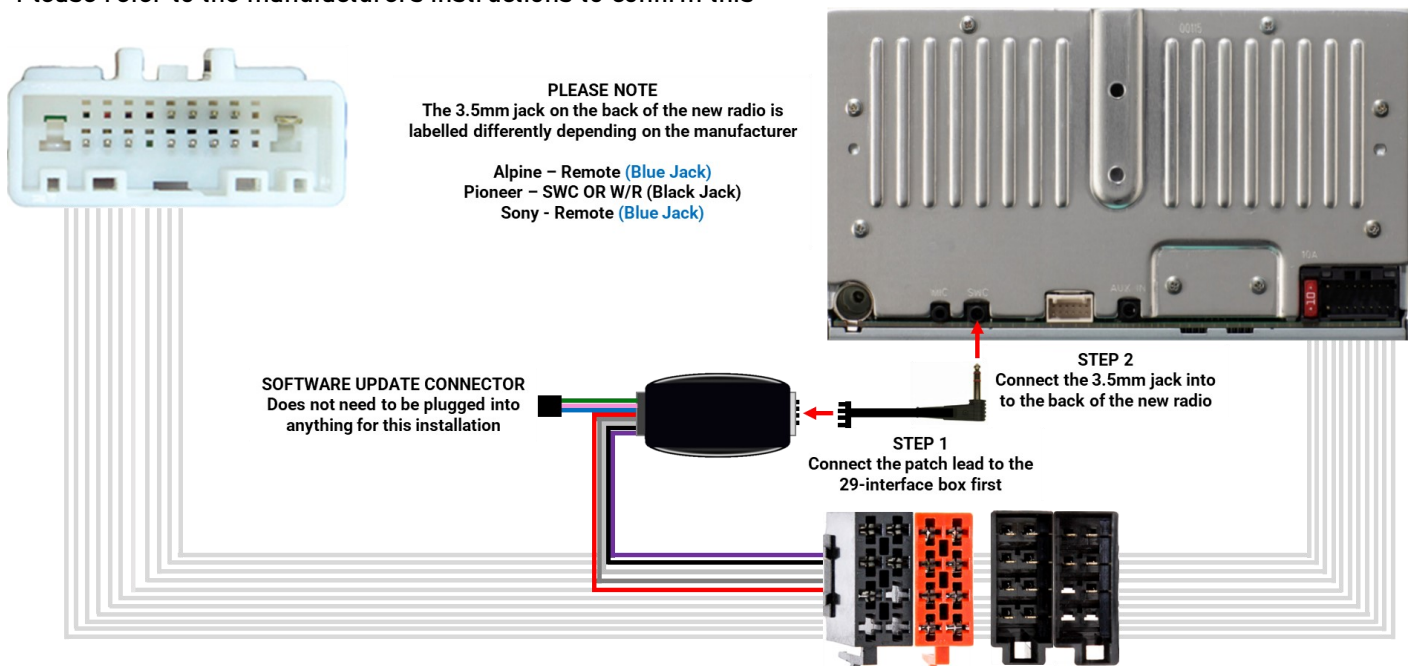


Before installing

1. Make sure the ignition supply to the vehicle is turned off
2. Ensure the head unit is removed from the car ensuring easy access to the connections on the back of the original unit.
3. Assemble your patch lead if your using a universal patch lead with either a 3.5mm Jack or Bullet connector (Please refer to your patch lead instructions for this)

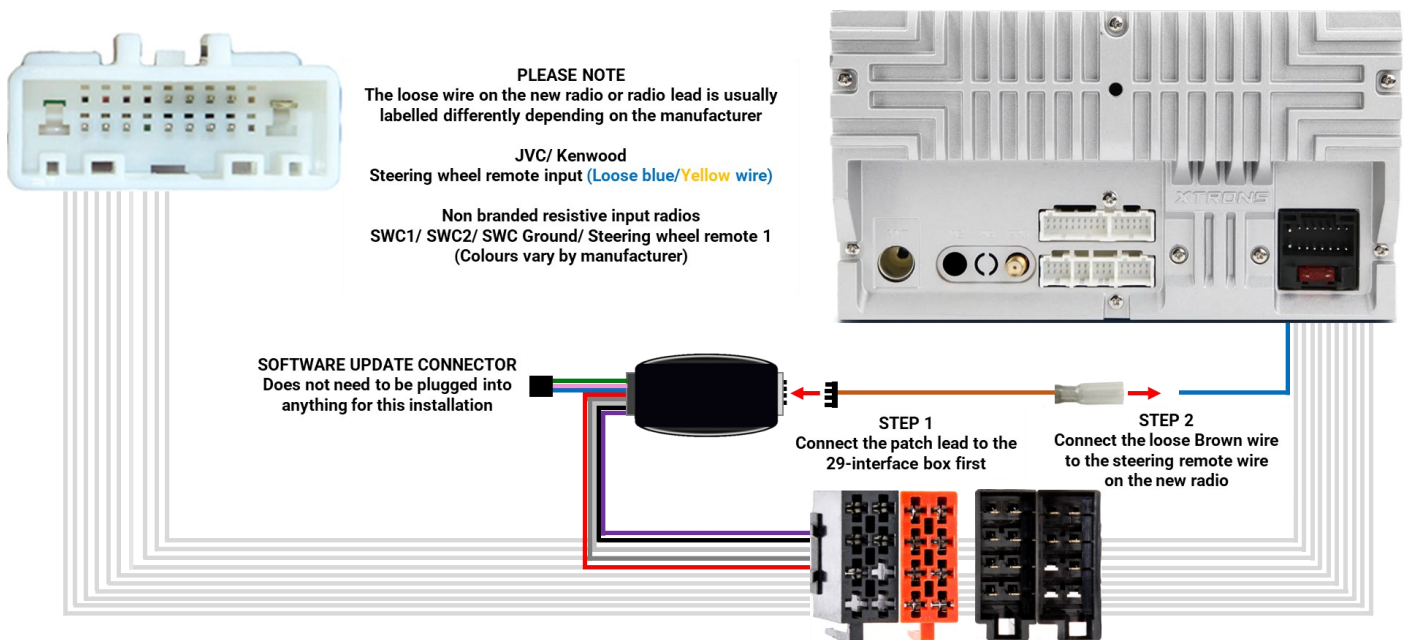
Connecting the patch lead (3.5mm Jack connection)

Connect the 3.5mm jack to the back of the new aftermarket head unit. This is labelled differently depending on the brand of head unit, For e.g. Alpine/ Sony is usually labelled Remote, Pioneer SWC or W/R. Please refer to the manufacturers instructions to confirm this



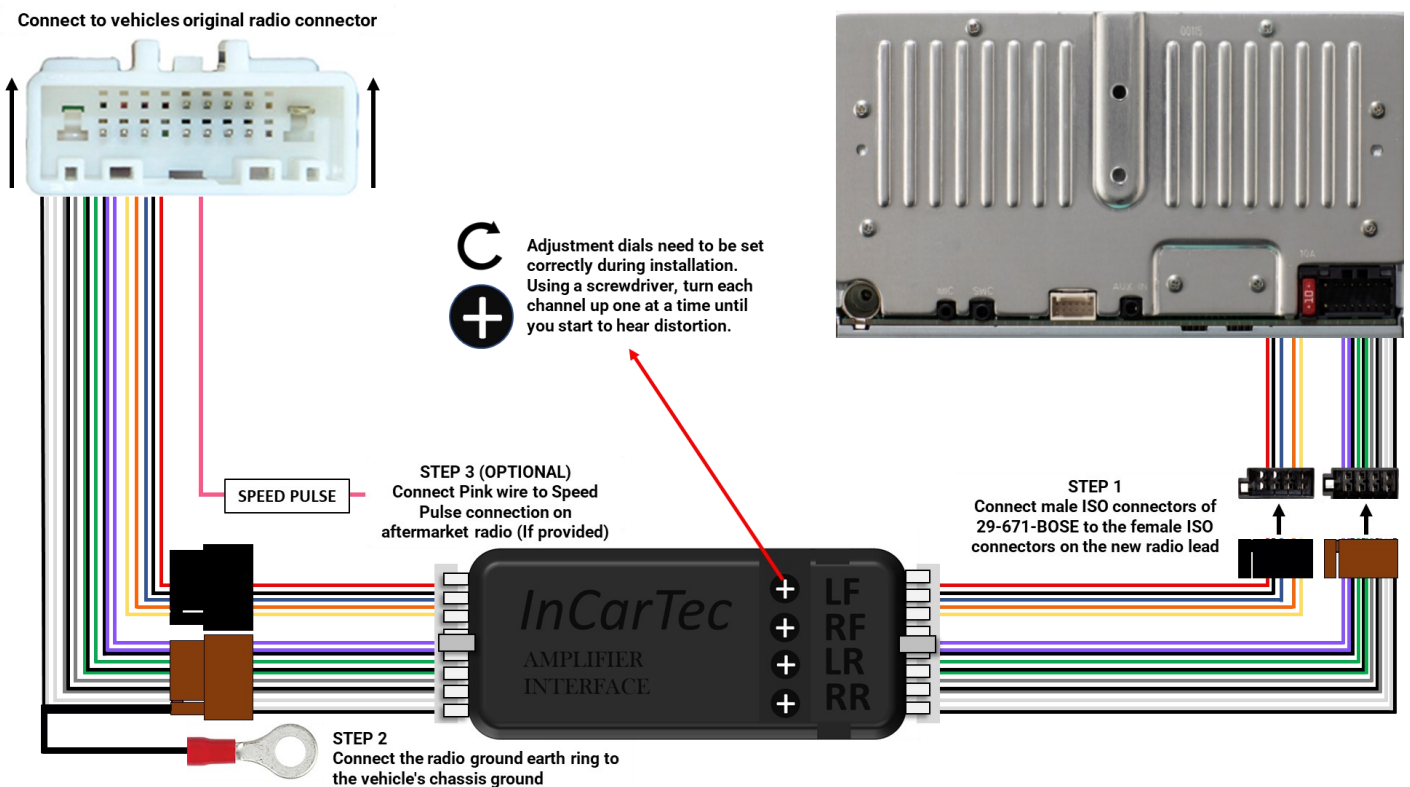
Connecting the patch lead (Loose wire connection)

Connect the loose brown wire to the steering remote wire on the new radio, this can either be on the back of the new aftermarket head unit or on the new radio cable. This is labelled differently depending on the brand of head unit. Please refer to the manufacturers instructions to confirm this



Steering wheel control interface (29-671-BOSE) installation

1. Connect the black and brown male ISO connections to the corresponding female ISO connections from the back of the radio. If your radio has loose wires rather than ISO connections, please use an ISO adapter such as a Incartec 20-022 to add them to your radio.
2. Connect the vehicle specific connectors into the cars original wiring. Connect the ground loop that is attached to the harness (the main earth lead for the radio) to a chassis ground on the vehicle.
3. your aftermarket radio has a speed pulse output then connect this to the Pink Speed Pulse on the steering wheel control interface.
4. Using a screwdriver, with radio volume 3/4 up, turn each channel up on the amplifier interface until you start to hear distortion.



Antenna adapter (21-118K) installation

