

InCarTec	SLIMKEY2	CODE 25 - 519 - IGN	2W CANBUS PROTOCOL
-----------------	-----------------	--------------------------------	-------------------------------

The interface is designed to provide positive ignition and illumination outputs detected from the CANBUS lines of the vehicle.

Ignition output has a maximum current of 1.5 A.

Illumination output supplies a maximum current of 100 mA.

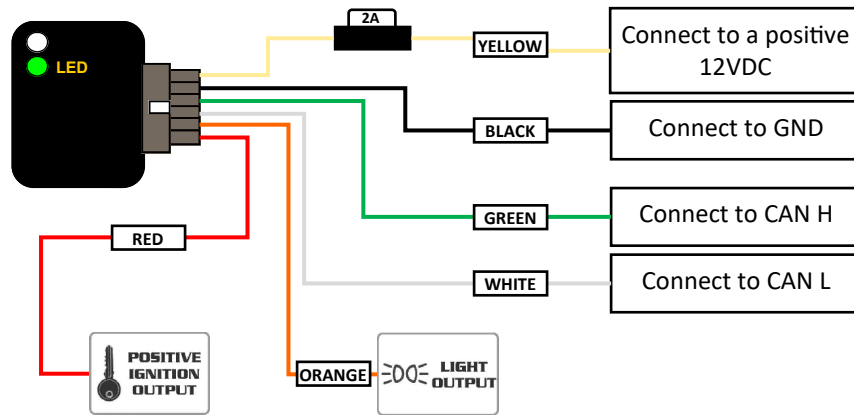
These outputs are pre-programmed by default.

The interface will recognise and pre-select the CANBUS protocol of the vehicle. Once connected, the LED will turn GREEN to confirm it has recognised and set the CANBUS protocol.

For support, please contact the distributor.

INSTALLATION

Installation is simple, just make the connection below described.



WARNING!

If the interface is transferred from one vehicle to another (even a model from the same manufacturer) it will be necessary to reset the interface.

RESET:

1. With the interface powered, press and hold the UNICAN button (next to the LED) until the LED switches off.
2. With the LED switched off, release the button. The reset is complete.

This product is guaranteed for 2 years for any manufacturing defects. The sales invoice serves as proof of this start date of the guarantee.

TECHNICAL CHARACTERISTICS

POWER SUPPLY	10/16 VDC
SLEEP MODE COMSUMPTION	1 mA
WORKING MODE COMSUMPTION	1 A
MAX CURRENT OUTPUT	1.5 A

TROUBLESHOOTING

- The interface doesn't function and the LED is off.
- Check the connections of the power supply.
- The power supply is correct but the interface doesn't function and the LED is off.
- Check the CANBUS connections.
- The interface is connected correctly and the red LED flashes quickly.
- The interface hasn't been able to recognise the CANBUS correctly, try resetting the interface.
- The interface is connected correctly and the red LED flashes with an irregular pattern.
- Check the CANBUS connections
- The interface is connected correctly and the red LED is on.
- The interface has synchronised with the CANBUS but hasn't been able to recognise the vehicle. Attempt a reset or contact the distributor.

The information in this guide and in its attachments are purely for informational purposes and are subject to change without notice. At the time of publication every effort has been made to ensure the information is correct and reliable. However, neither the manufacturer or distributor can be held responsible for any consequences resulting from errors, omissions or incorrect information in this manual. The manufacturer reserves the right to improve or change the product or manual without notice or obligation to notify users.