

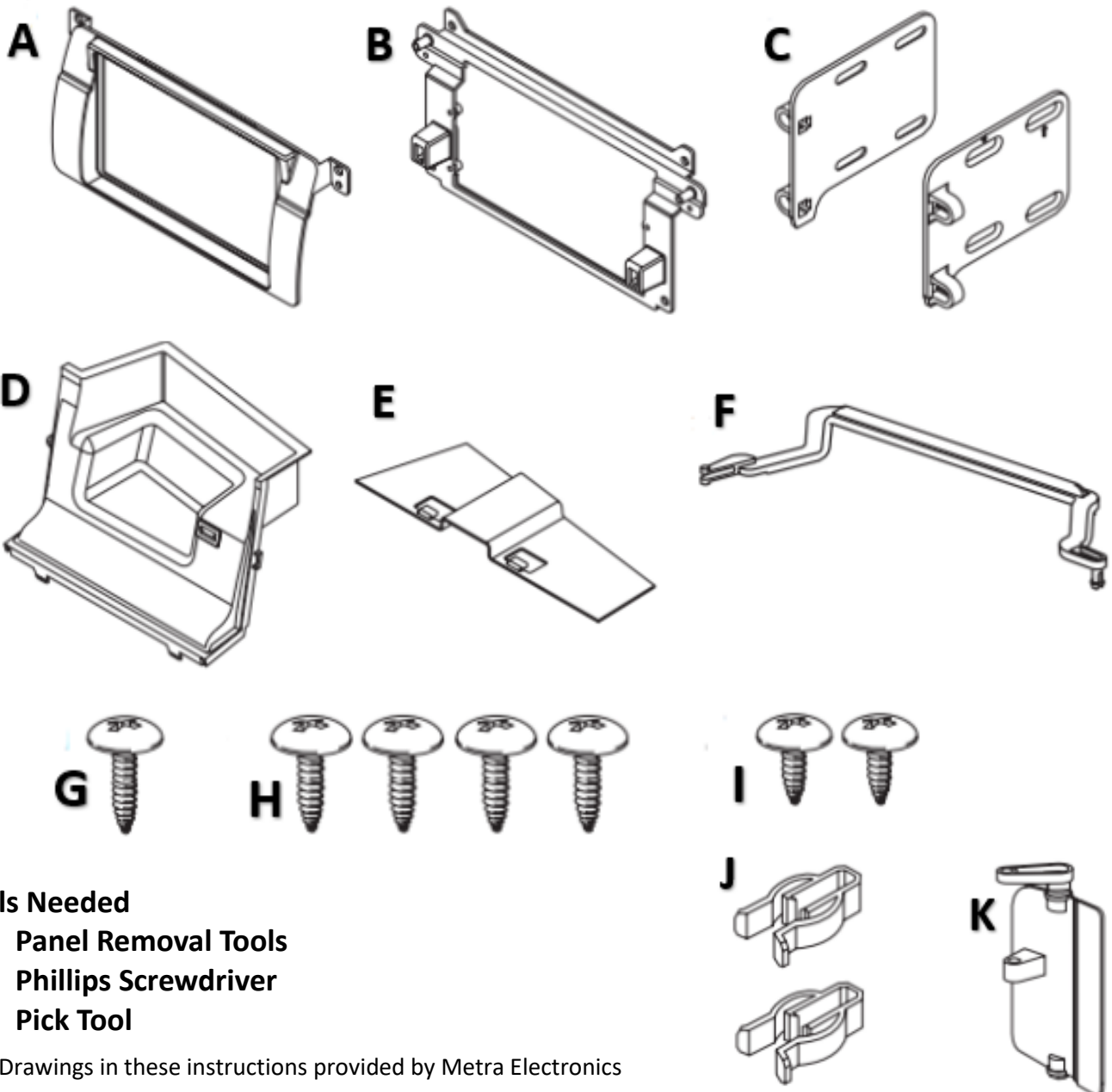
50-951-RHD

This kit includes cutting guides and new panels to allow easier modification of the heater box which is needed to fit a full sized double DIN radio in the dashboard of a BMW 3-Series E46 (1998-2005)

If fitting a radio with a high level single DIN chassis (such as a Sony XAV-AX3005DB) then this kit allows fitting with no heater box modifications needed. If changing an original non-navigation radio, modifications need to be made to the centre console to relocate the heater controls.

COMPONENTS

- A) Radio Trim Panel • B) Trim Housing • C) Radio Brackets • D) Heaterbox Cover • E) Cutting Template • F) Actuator Arm • G) #6x1/2" Phillips Scren • H) (4) #8x1/2" Phillips Screws • I) (2) #8 x 3/8" Phillips Screws • J) (2) Panel Clips • K) Vent Door

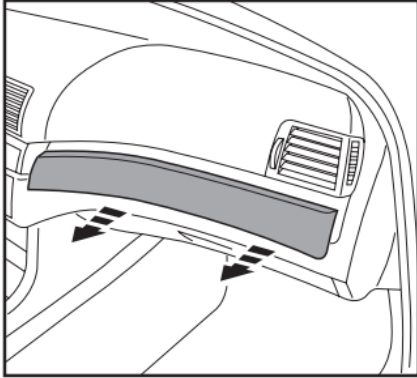


Tools Needed

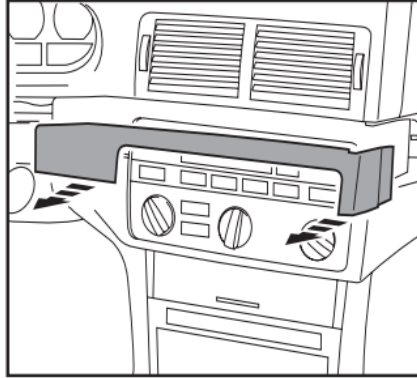
- Panel Removal Tools
- Phillips Screwdriver
- Pick Tool

Dash Disassembly

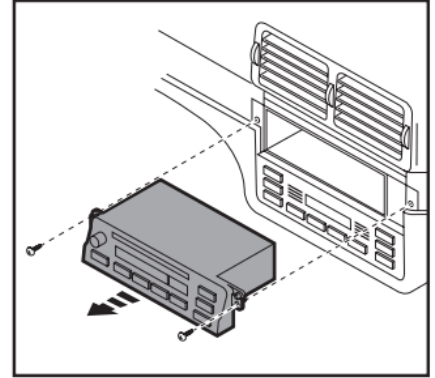
1. Unclip and remove the trim panel above the glovebox (Figure A)
2. Unclip and remove the trim panel above the original radio (Figure B)
3. Remove the two Phillips head screws securing the radio and then unplug the radio from its original wiring harness and remove from the car. (Figure C)



(Figure A)

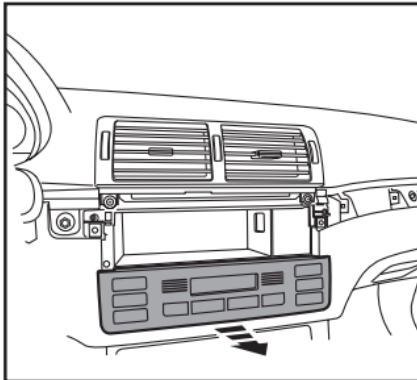


(Figure B)

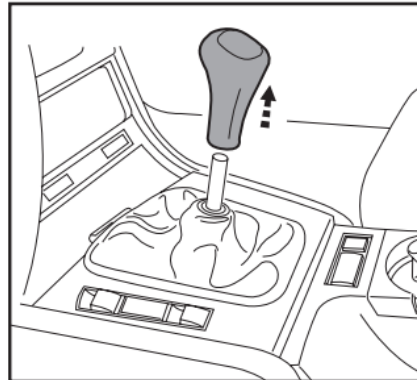


(Figure C)

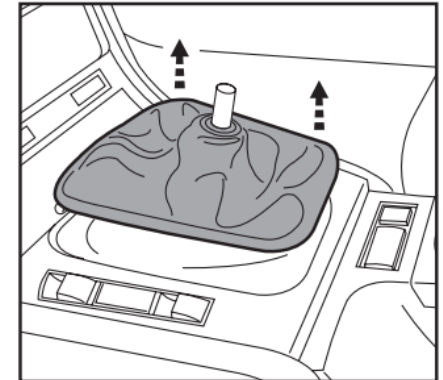
4. Pull out the climate control panel - models with basic original radio only. (Figure D)
5. Pull straight up on the gear knob to remove (Figure E)
6. Squeeze around the edges to unclip and remove the gear stick boot (Figure F)



(Figure D)

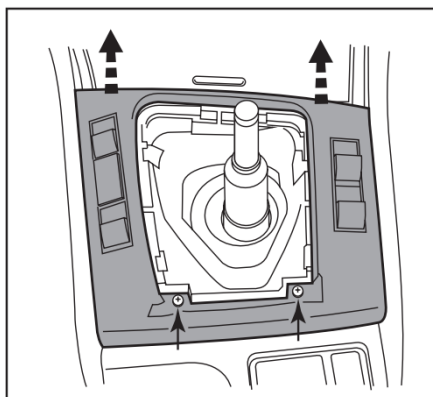


(Figure E)

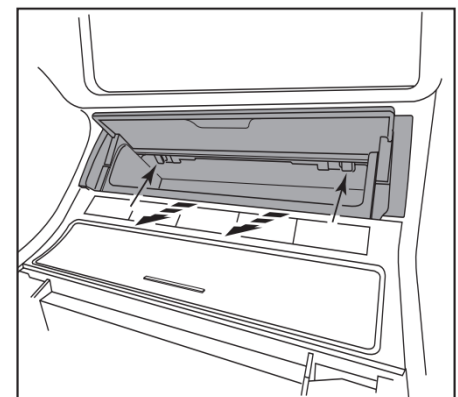


(Figure F)

7. Remove the two Phillips head screws at the rear of the gear stick surround trim, then unclip and remove the panel (Figure G)
8. On models without original navigation where the heater controls will need to be relocated, open the door of the upper pocket in the lower centre console, directly below the original radio and heater controls. Using a pick tool disengage the two clips in the upper corners of the tray and then remove the tray and door. (Figure H)



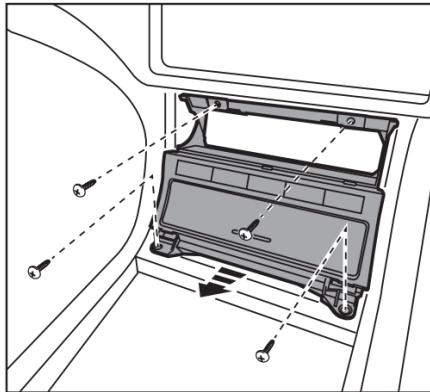
(Figure G)



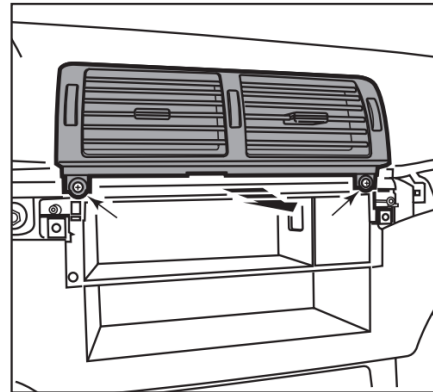
(Figure H)

Dash Disassembly Continued

9. On models without original navigation, Remove the 4 Phillips head screws from the lower switch panel and unplug the switches. Pull the switch panel free from the vehicle. (Figure I) The inside edges of this panel that contained the upper pocket will need to be carefully cut away with a dremel or similar tool to fit the relocated heater controls. Offer up the heater controls to find where to remove material and slowly trim the panel until it fits.
10. On all models, Remove the two Phillips screws holding the vents in place. Carefully unclip and remove the vents using plastic panel removal tools. The vents do not need to be removed completely and a cable is attached at the back. (Figure J)
11. On cars without original navigation remove the two Phillips head screws securing the radio/heater control housing, and withdraw it from the cavity.



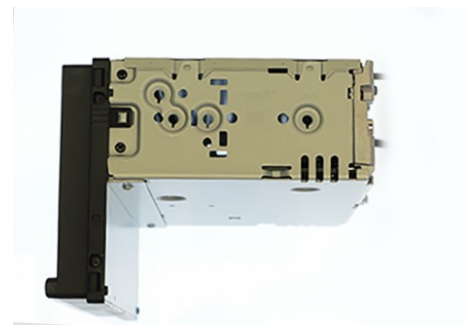
(Figure I)



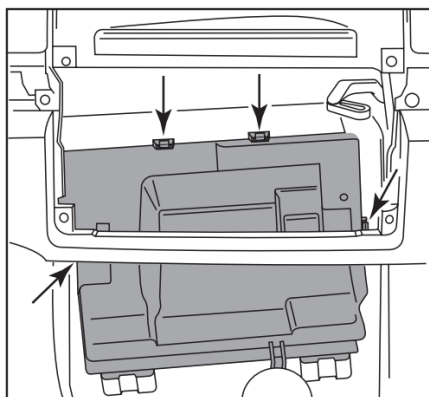
(Figure J)

Heaterbox Modifications

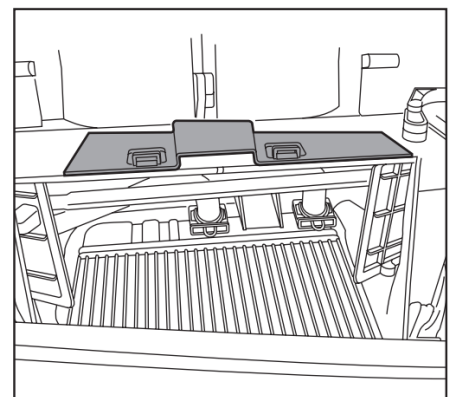
If fitting a radio with a high level single DIN chassis (such as a Sony XAV-AX3005DB) then the heater box modifications can be ignored; see right. Proceed to Kit Assembly.



1. Remove the 4 metal retaining clips holding the airbox front panel in place and remove the panel. Put the clips to one side to reuse in step 7. (Figure A)
2. Clip the cutting template over the top edge of the heater box, and mark around it for cutting. Remove the template and then cut around the marked area. (Figure B)



(Figure A)

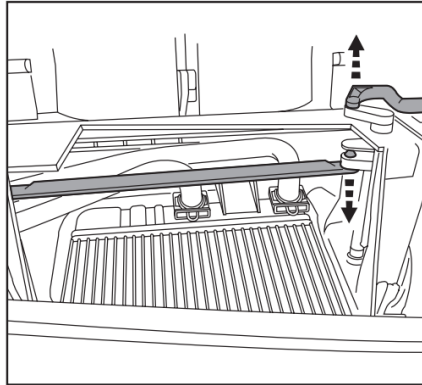


(Figure B)

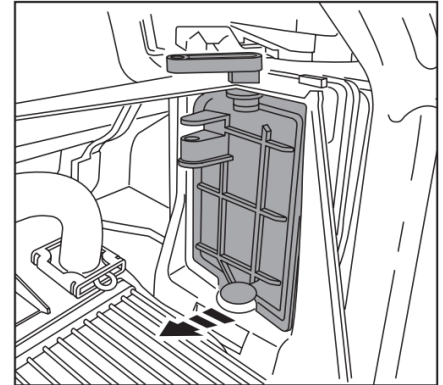
Heaterbox Modifications Continued

3. Remove the upper actuator arm from the driver side vent door. Remove the lower arm from the vent door by unclipping the drivers side, then the passenger side. (Figure C)

4. Remove the driver side vent door. Unclip from the bottom, then push and rotate the top clip out of the slot in the heater box. (Figure D) Keep a note of the orientation of the vent door arm to make reinstallation easier.

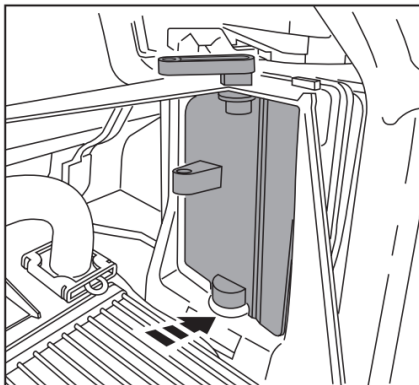


(Figure C)

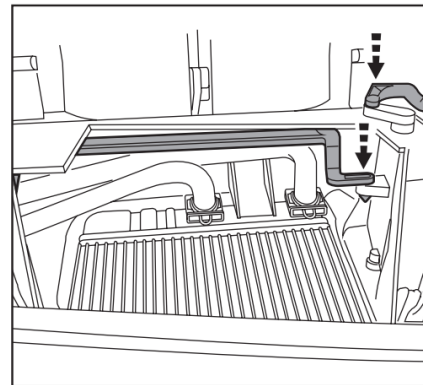


(Figure D)

5. Replace the drivers side vent with the one supplied in this kit, Rotate the door into the upper slot and clip into the lower slot (Figure E)
6. Replace the lower actuator arm with the one supplied. Clip the passenger side in first and then the driver side. Reconnect the upper actuator arm to the vent door. (Figure F)

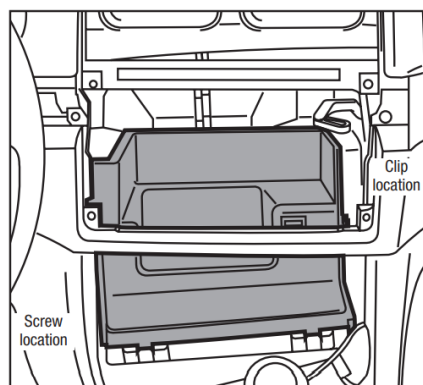


(Figure E)

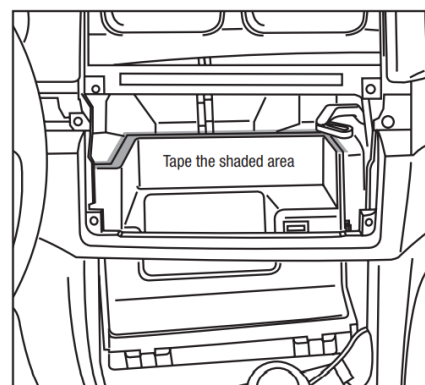


(Figure F)

7. Place the supplied airbox cover in place and secure the right hand side with one metal retaining kit that was removed in step 1. Secure the left side with the 1 #6x1/2" Phillips screw supplied. (Figure G)
8. Tape along the upper edge of the air box cover where the cut was made. Use duct tape or A/C alluminium tape. (Figure H)



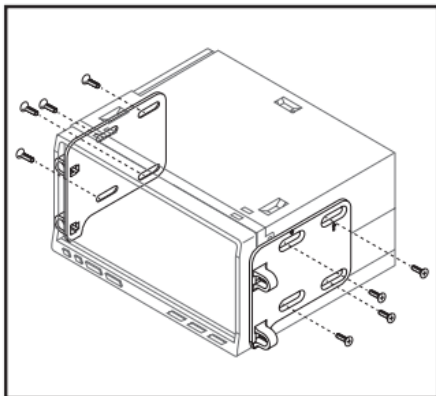
(Figure G)



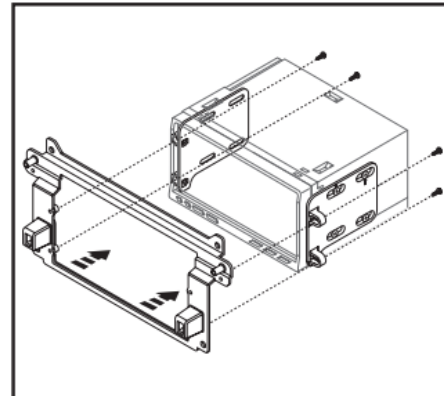
(Figure H)

Kit assembly

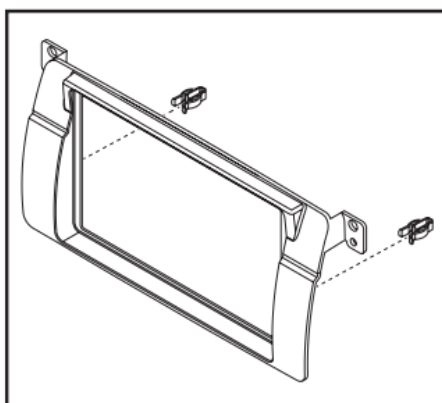
1. Attach the new radio to the side fixing brackets using the screws supplied with the radio. (Figure A)
2. Attach the trim housing to the radio/bracket assembly with the 4 #8x1/2" Phillips screws supplied. (Figure B)
3. Locate the factory wiring harness and antenna connection in the dash and connect the relevant adapter harnesses for your car to the new radio. On cars with original navigation the tuner is in the back of the car and extensions will need to be run for power, speakers and the FM antenna.
4. On cars without original navigation, relocate the heater controls to the lower switch panel and check that they are a good fit before refitting the panel using the 4 original Phillips screws removed in step 9 of dash disassembly.
5. Test the radio for proper operation, including steering wheel controls.
6. Secure the complete radio assembly into the cavity using the 2 #8x3/8" Phillips head screws supplied.
7. Resecure the vent assembly to the vehicle using the two original Phillips screws removed in step 10 of the dash disassembly instructions.
8. Attach the two panel clips provided with the kit onto the radio trim panel and attach the panel to the radio assembly. (Figure C)
9. Secure the radio in the dash with the 2 original Phillips head screws removed in step 3 of dash disassembly instructions.
10. Check all electrical connections to the radio, heater controls and any other switches are secure before reassembling the dash in reverse order of disassembly.



(Figure A)



(Figure B)



(Figure C)

