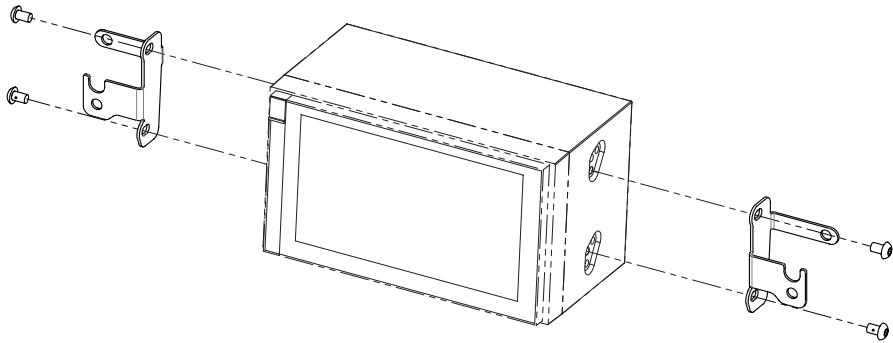


9. Attach mounting brackets to 2-DIN head unit



## Double-DIN Kit Installation Manual

part-no.: 381230-31-1  
colour: piano black

### Opel Karl 2015->

**Only compatible with mechless units (max. depth 120 mm)**

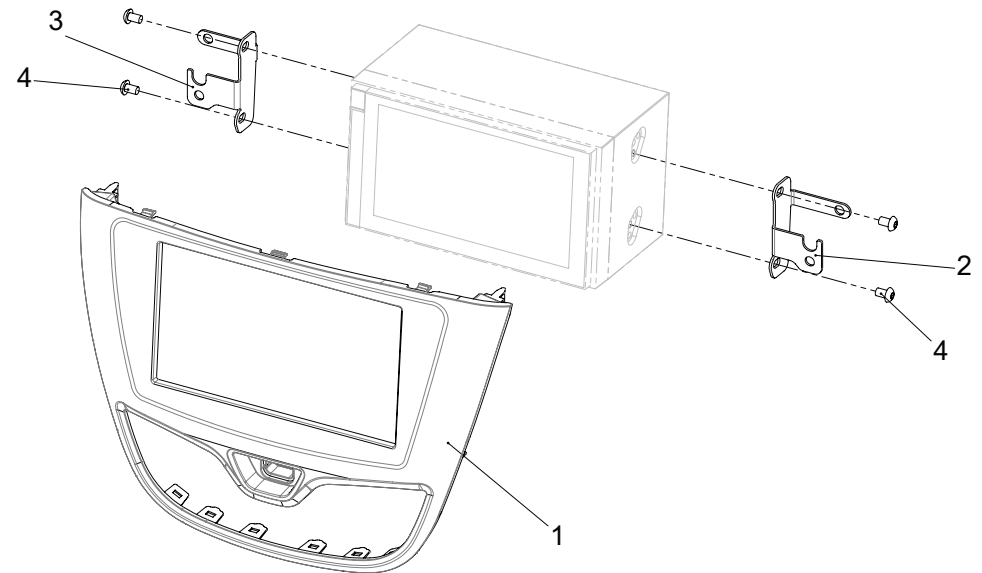


10. Connect all cables  
Place 2-DIN head unit onto dash board

Fix 2-DIN head unit using the original screws



11. Connect hazard light switch  
Place new facia plate on dash board until it snaps in to finish installation



#### Kit Content

- |                            |                           |
|----------------------------|---------------------------|
| (1) Facia Plate            | (3) Mounting bracket left |
| (2) Mounting bracket right | (4) flat headed screw     |

*All installation work must be performed by a qualified professional installer only.  
The manufacturer / dealer is not liable for any kind of incidental or indirect damages.*



1. Opel Karl OEM dash board



5. Unclip and remove hazard light switch from OEM panel



2. Unclip OEM panel  
Unplug hazard light switch and remove OEM panel



6. Place hazard light switch onto new 2-DIN fascia plate



3. Remove 2 screws of OEM head unit (see arrows)



7. Unclip and remove air vents from OEM panel



4. Unplug all connectors  
Remove OEM head unit



8. Place air vents onto new 2-DIN fascia plate