

Signature

WS 6.45

High fidelity woofer

- Shallow 6-1/2" (165 mm) woofer
- Max power 150 W / Nom. power 75 W
- Frequency response 55 Hz - 5 KHz
- Impedance 3 Ohms

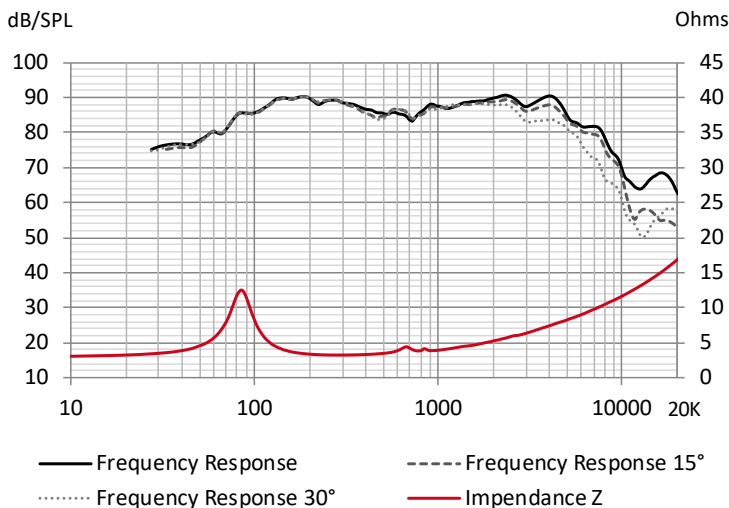
Die cast aluminum basket - Ultra rigid carbon fiber cone with circular grooves to strengthen the cone - IIR surround - Long life « conex » spider - 34 mm Voice Coil, fiber glass former - High grade neodymium magnet, precision machined pole piece and T yoke



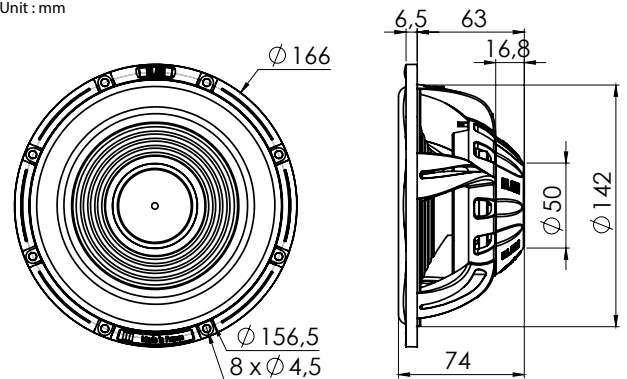
TECHNICAL SPECIFICATIONS

Component	Woofer	
Max power	150 W	
Nominal power	75 W	
Impedance	3 Ω	
Freq. Response	55 Hz - 5 KHz	
Sensitivity (2,83V/1m)	91,1 dB	
Magnet	Neodymium	
Magnet size Ø x h	24 x 10 mm	0,945" x 0,394 "
Total driver displacement	0,3 l	0,011 cf
Weight of one component	1,25 kg	2,756 lb
Voice coil Ø	32 mm	1,260"
Voice coil height	12 mm	0,472"
Cone	Carbon fiber	

FREQUENCY RESPONSE / IMPEDANCE



Unit : mm



THIELE-SMALL PARAMETERS

effective Ø (d)	128 mm
Sd	128,68 cm ²
Xmax	4 mm
Re	3,1 Ω
Fs	84,23 Hz
Le	82,77 μH @1 kHz
L2	237,68 μH @10 kHz
Vas	6,71 L
Mms	12,37 g
Cms	0,000289 m/N
BL	4,14 Tm
Qts	0,91
Qes	1,22
Qms	3,57
Sensitivity (dB/W/m)	87 dB

Signature

TS 20HR

High resolution tweeter

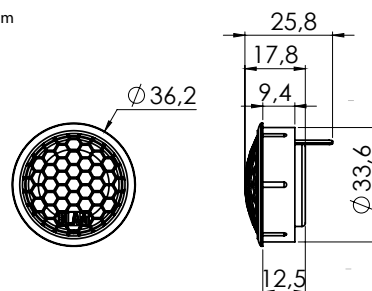
- 5 ohm, Neo magnet
- 20 mm (3/4") textile dome diaphragm
- Compact mounting dimensions
- High efficiency magnet (N38H neodymium)
- Ferrofluid for high power handling



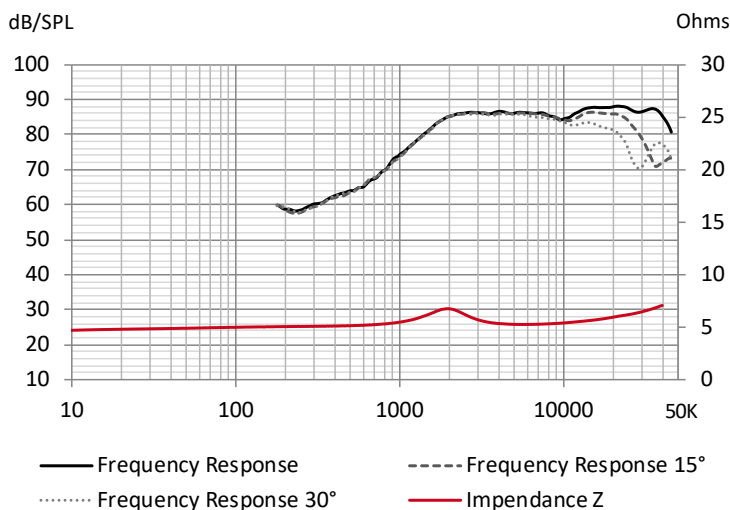
TECHNICAL SPECIFICATIONS

Component	Tweeter	
Max power	100 W	
Nominal power	10 W	
Impedance	5 Ω	
Freq. Response	2,5 KHz - 40 KHz	
Sensitivity (2,83V/1m)	88,3 dB	
Magnet	Neodymium	
Magnet size \varnothing x h	18 x 4 mm	0,709" x 0,157"
Total driver displacement	-	
Weight of one component	0,03 kg	0,066 lb
Voice coil \varnothing	20 mm	0,787"
Voice coil height	1,3 mm	0,051"
Cone	Soft	

Unit : mm



FREQUENCY RESPONSE / IMPEDANCE



THIELE-SMALL PARAMETERS

effective \varnothing (d)	32 mm
Sd	8,04 cm ²
Xmax	-
Re	5 Ω
Fs	1972,85Hz
Le	-
L2	-
Vas	-
Mms	-
Cms	-
BL	-
Qts	-
Qes	-
Qms	-
Sensitivity (dB/W/m)	86,3 dB