

# 50-644 - INSTALLATION INSTRUCTIONS

## APPLICATIONS

### Chevy City Express 2015-up / Nissan NV200 2013-up

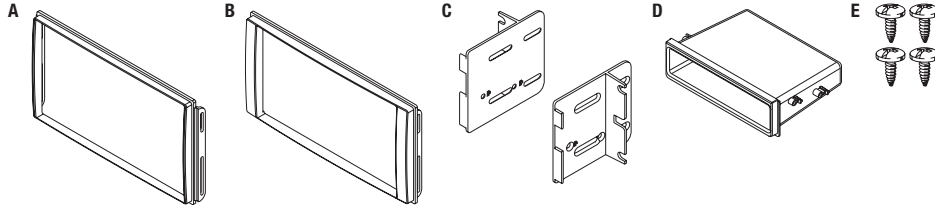
#### KIT FEATURES

- ISO DIN radio provision with pocket



#### KIT COMPONENTS

- A) Radio trim panel w/o Nav
- B) Radio trim panel w/Nav
- C) Brackets
- D) Pocket
- E) (4) #8 x 3/8" Phillips screws



## Table of Contents

### Dash Disassembly

- Chevy City Express 2015-up .....2
- Nissan NV200 2013-up .....2

### Kit Assembly

- ISO DIN radio provision with pocket..... 3

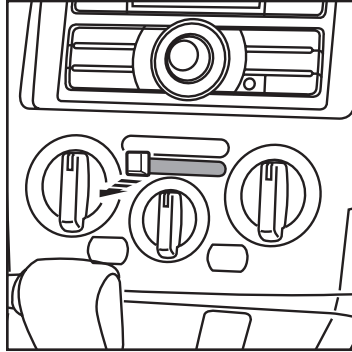
### TOOLS REQUIRED

- Panel removal tool
- Phillips screwdriver

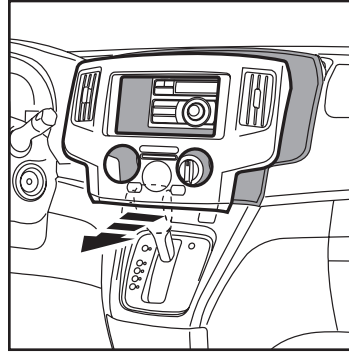
## Dash Disassembly

1. Unclip and remove the recirculate/fresh slide button. (Figure A)
2. Unclip and remove the entire panel surrounding the radio including the a/c vents. (Figure B)
3. Remove (4) Phillips screws securing the radio. (Figure C)

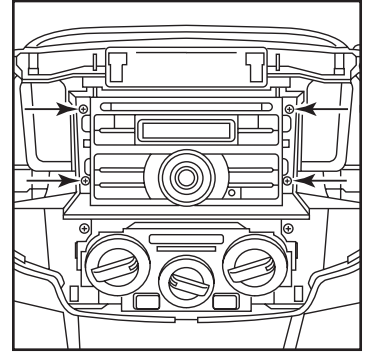
*Continue to kit assembly*



(Figure A)



(Figure B)

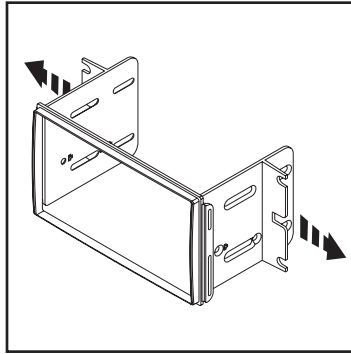


(Figure C)

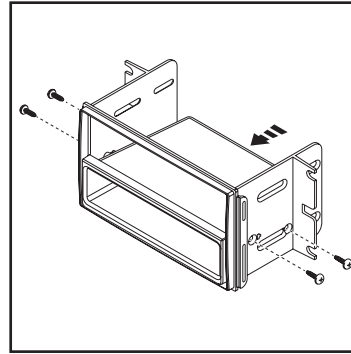
## Kit Assembly

### ISO DIN radio provision with pocket

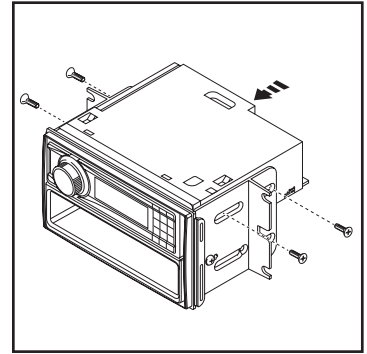
1. Attach the radio brackets to the radio trim panel. (Figure A)
2. Mount the pocket to the bracket/trim panel assembly with the (4) #8 x 3/8" Phillips screws supplied. (Figure B)
3. Slide the radio into the assembly and secure with screws supplied with the radio. (Figure C)
4. Locate the factory wiring harness and antenna plug in the dash.
5. Mount the new radio assembly into the dash and reassemble dash in reverse order of disassembly.



(Figure A)



(Figure B)



(Figure C)