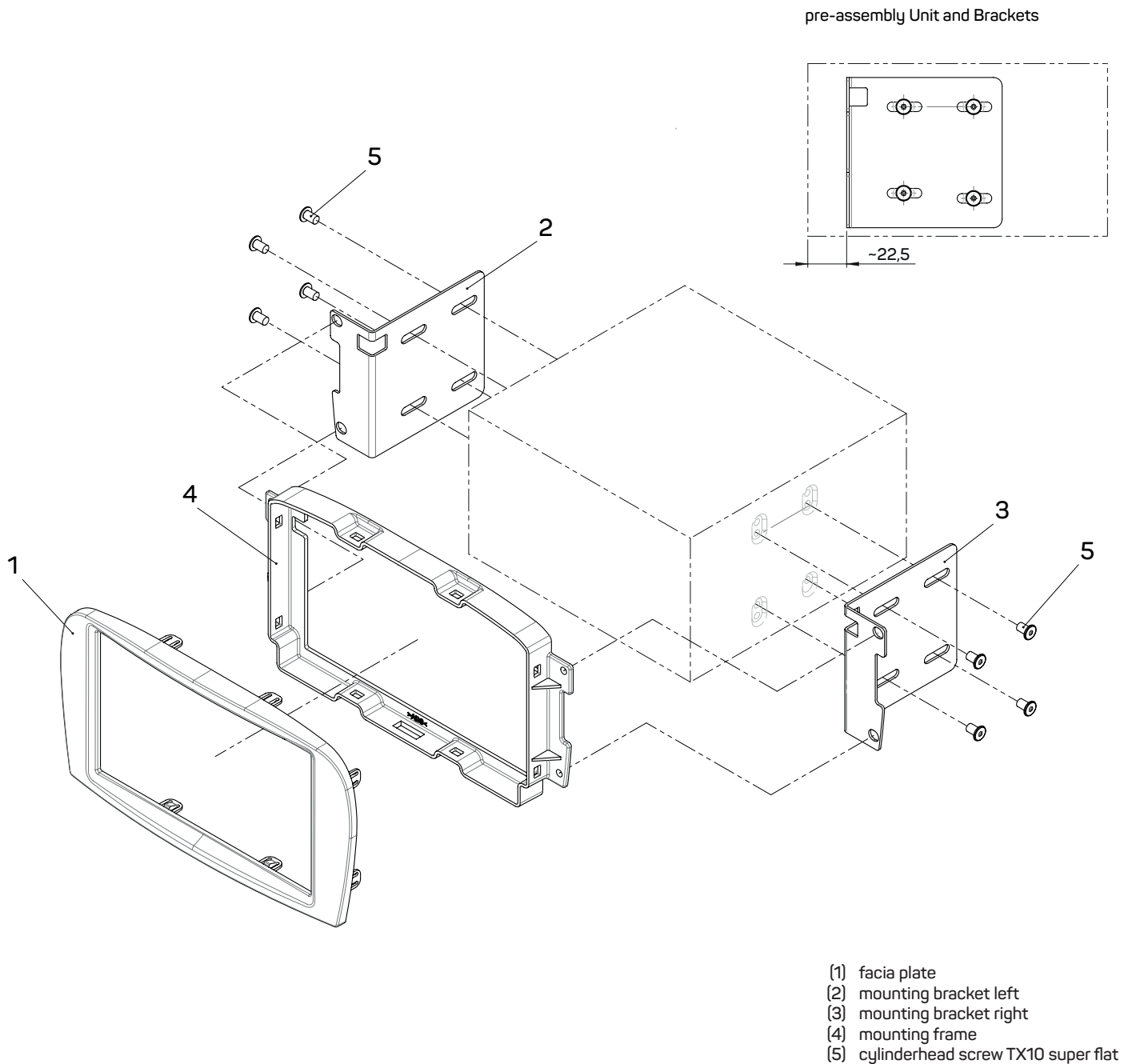


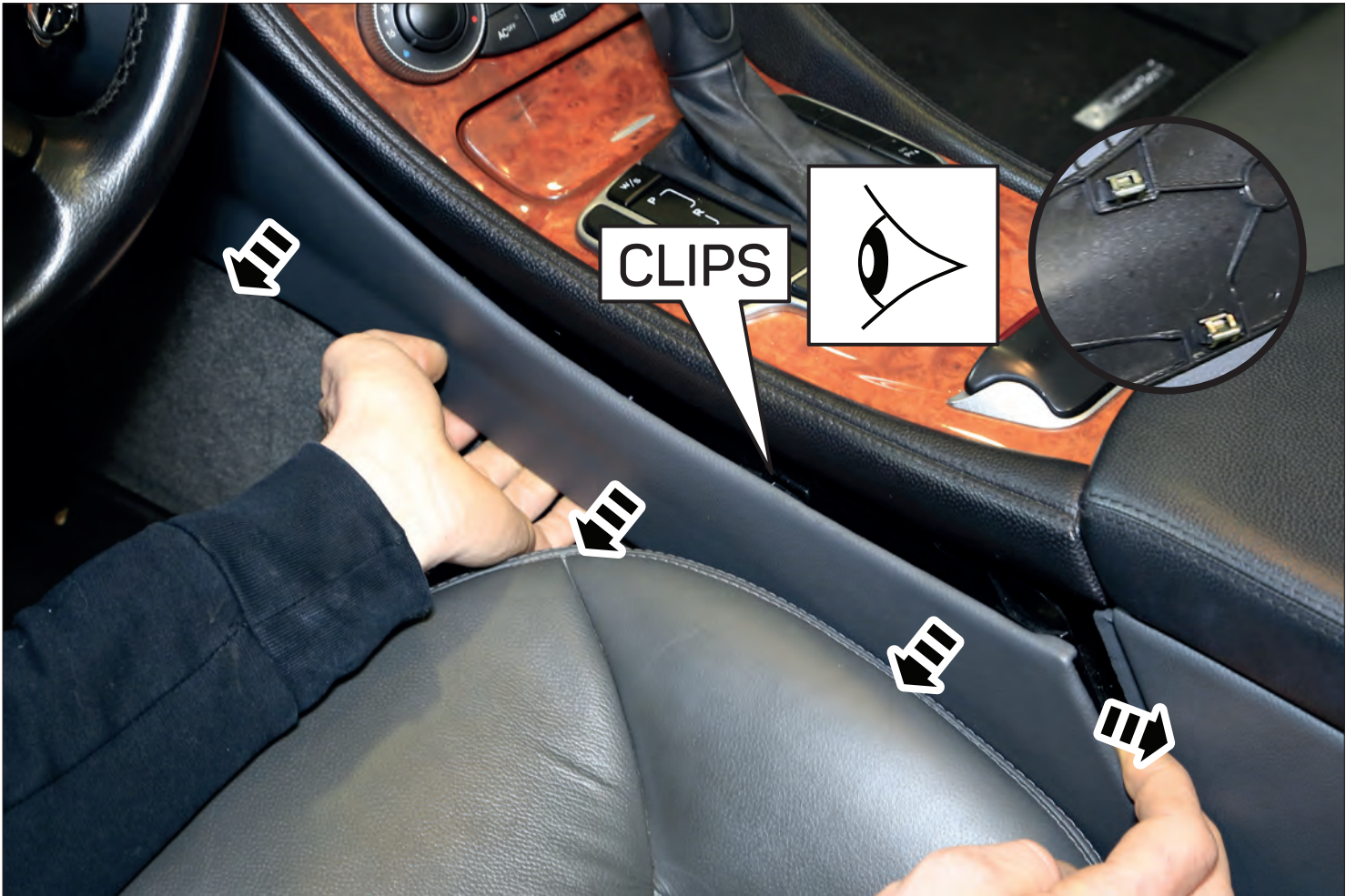
Mercedes SL (R230) 10/2001 - 12/2005

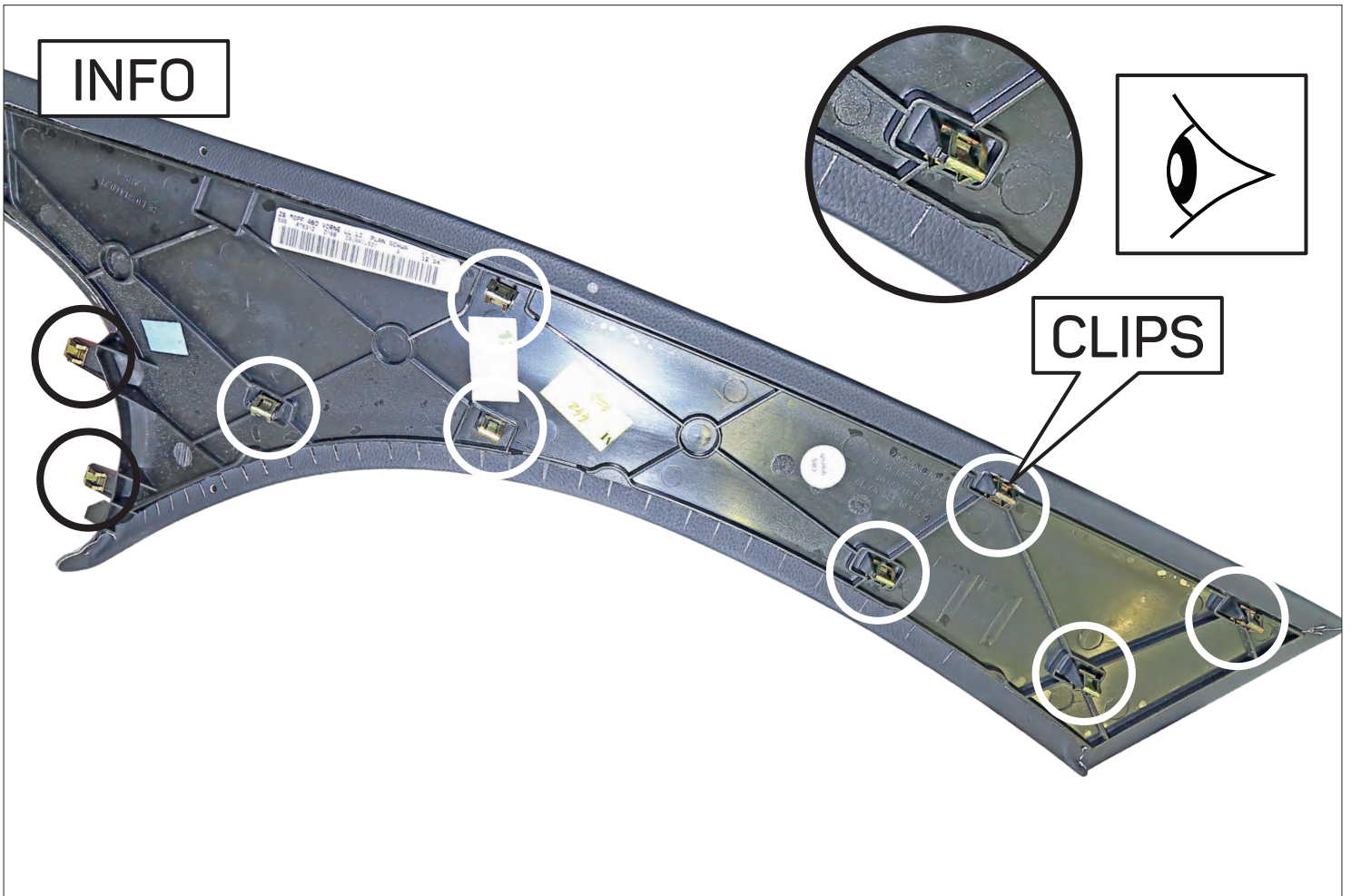


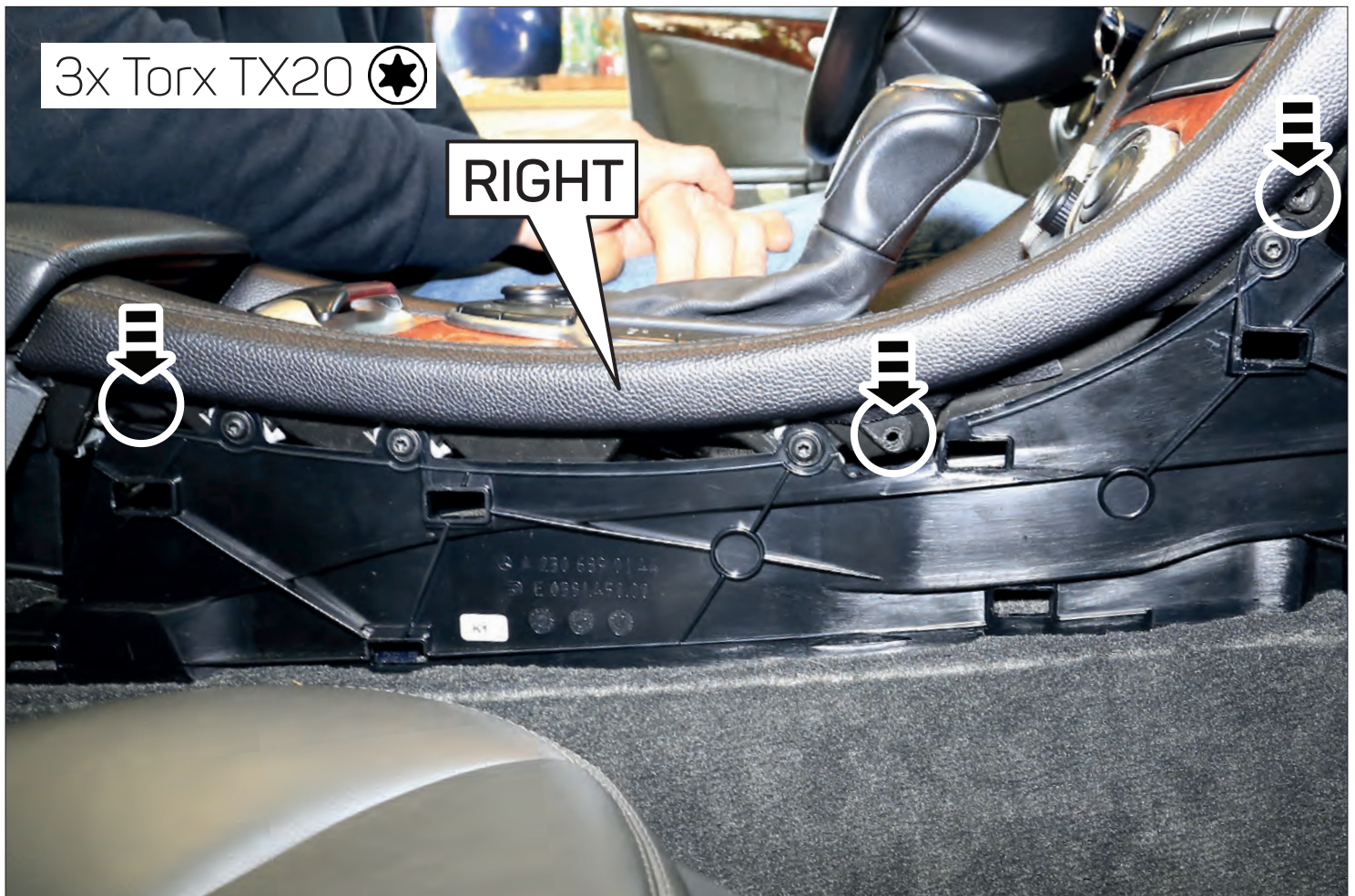
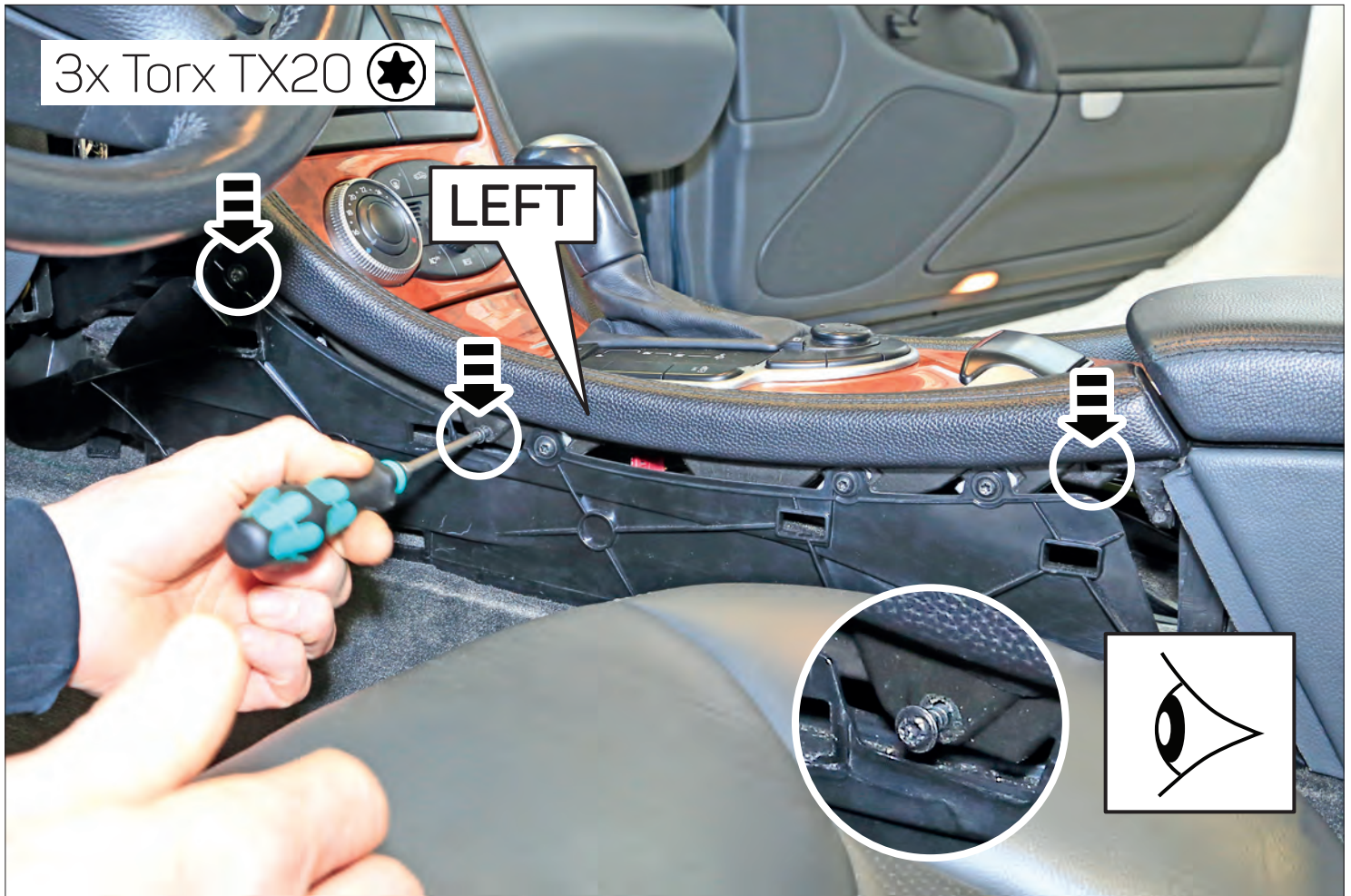
An appropriate installation in observance of these operating instructions is necessary. Please make sure the wiring is arranged so it is not bended or crimped due to the risk of cable break. Make sure that all connections are correct. Route the cable away from moving parts, do not allow the cable to be entangled, pinched or damaged in any way.

We will not be liable for damage due to improper installation or utilization. Use the specified accessory parts to prevent product failure.

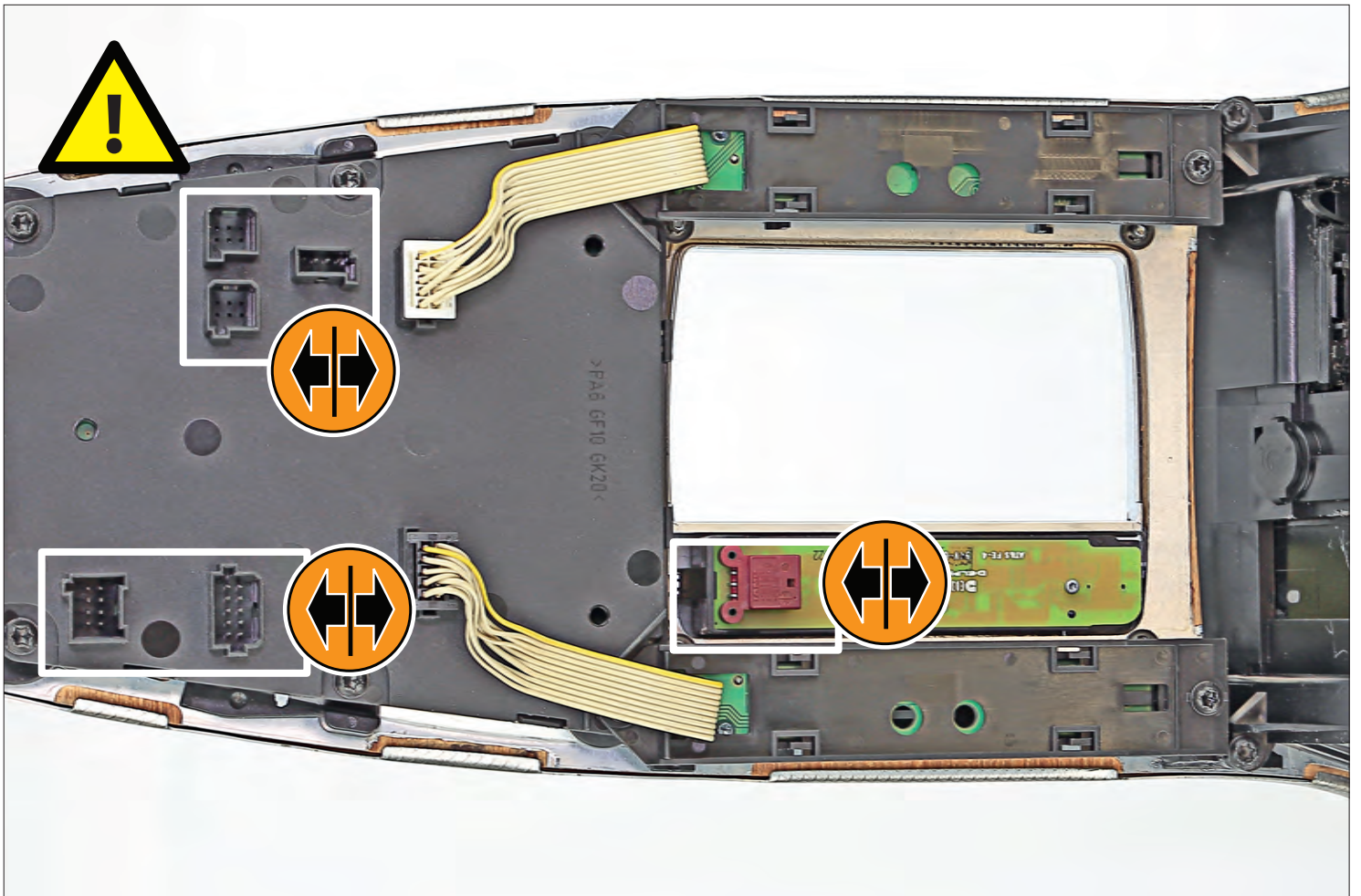
Subject to technical modifications; no responsibility is accepted for the accuracy of this information.

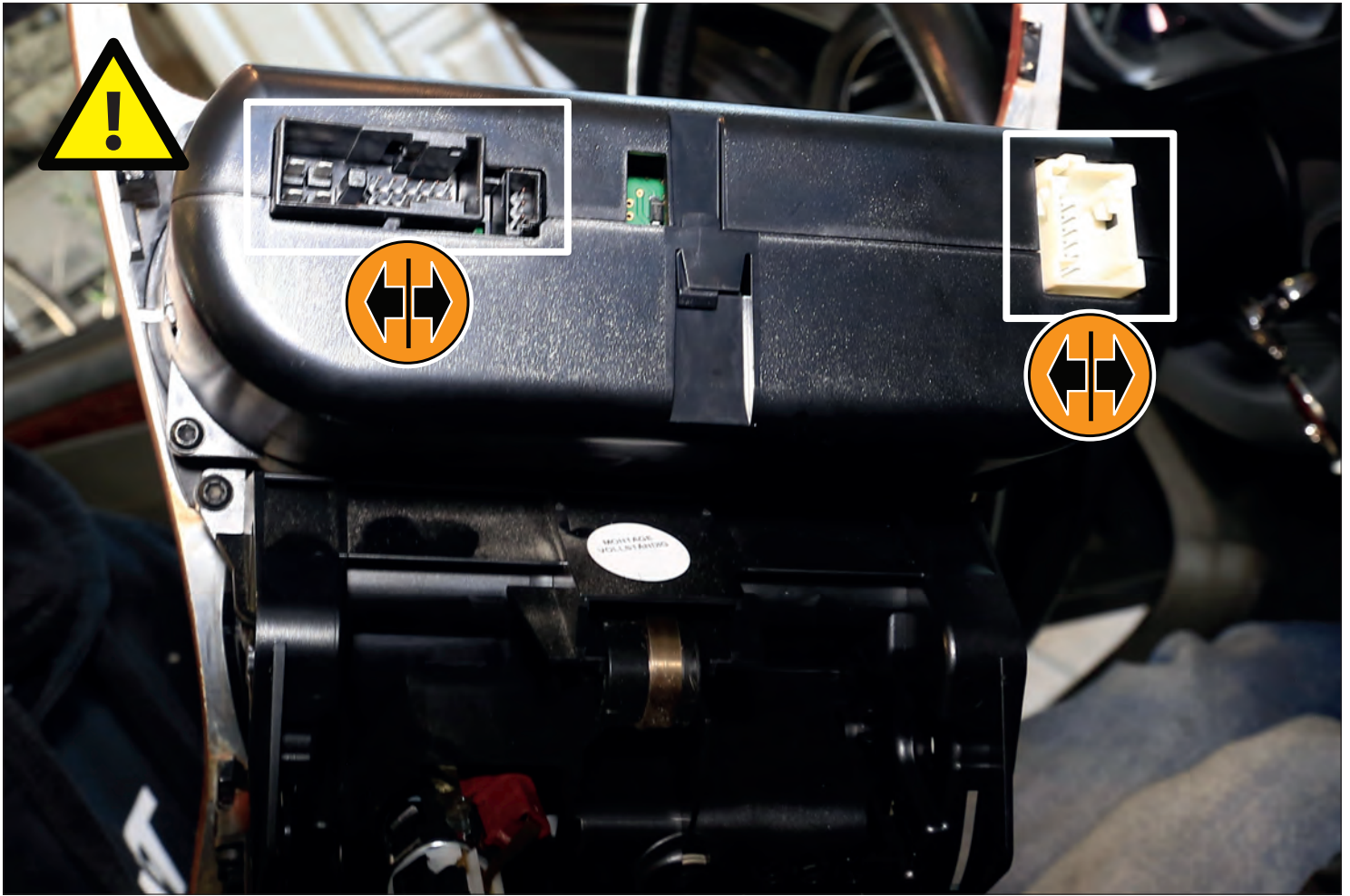






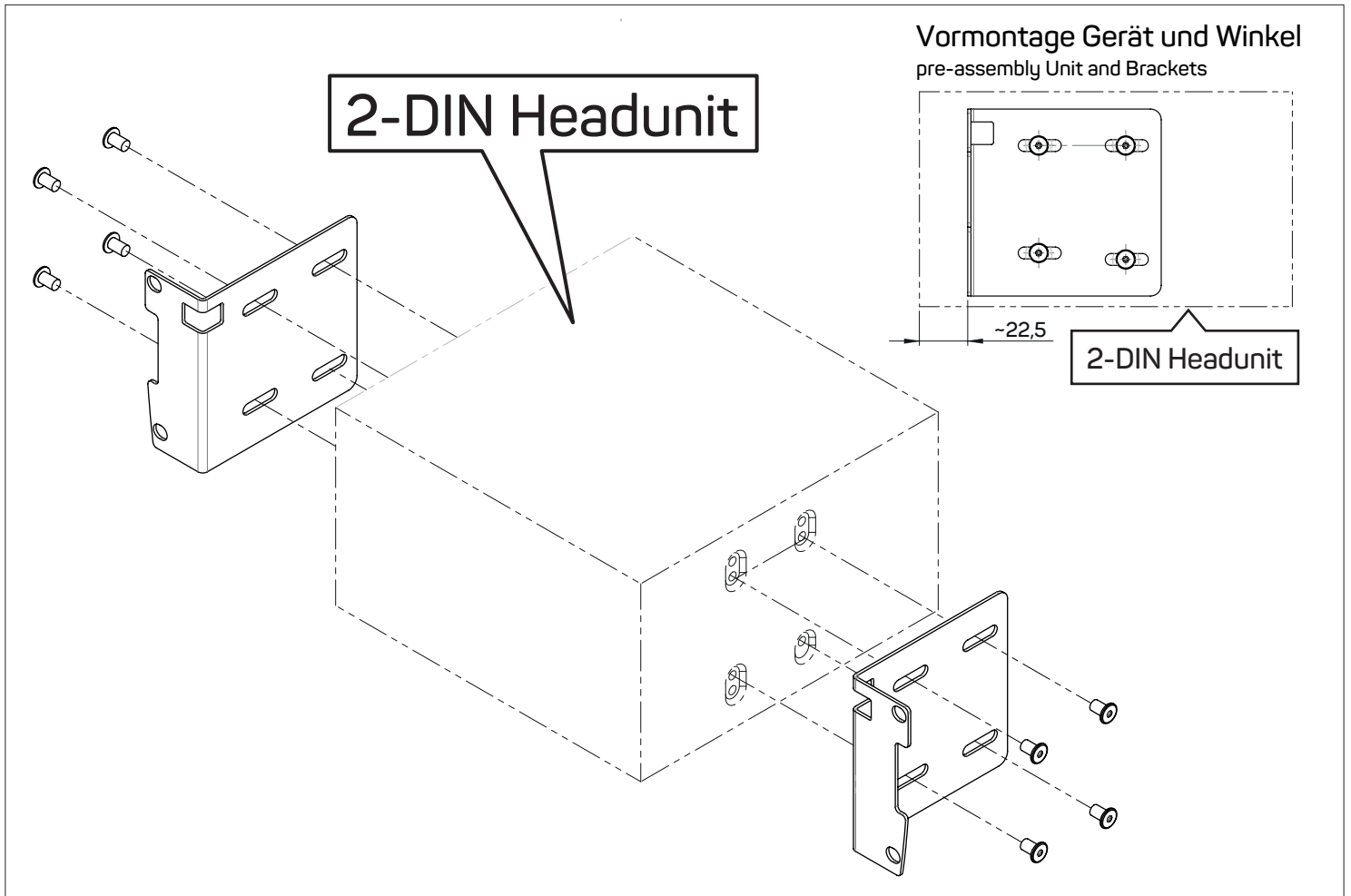


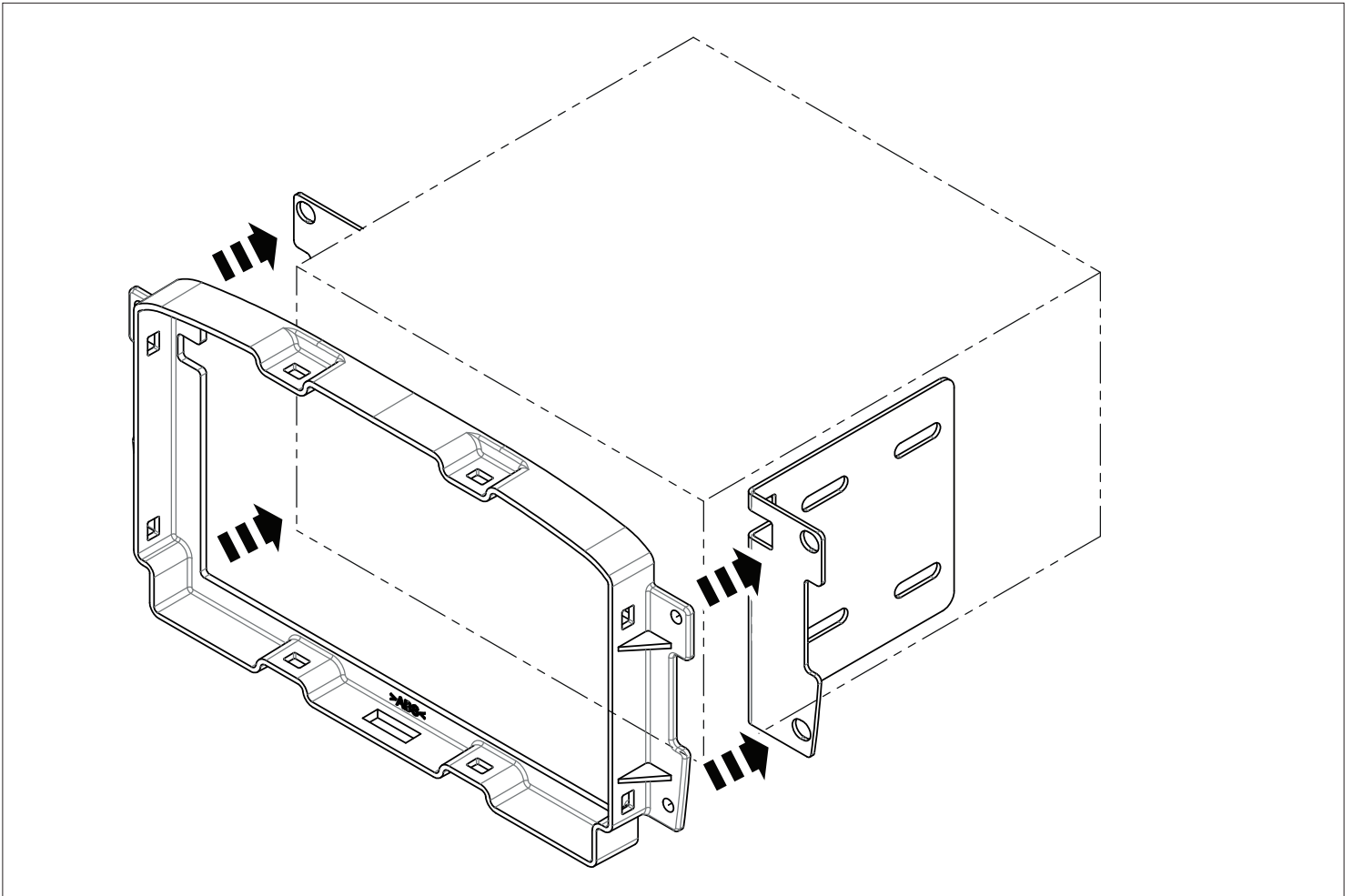












4x Torx TX20 





