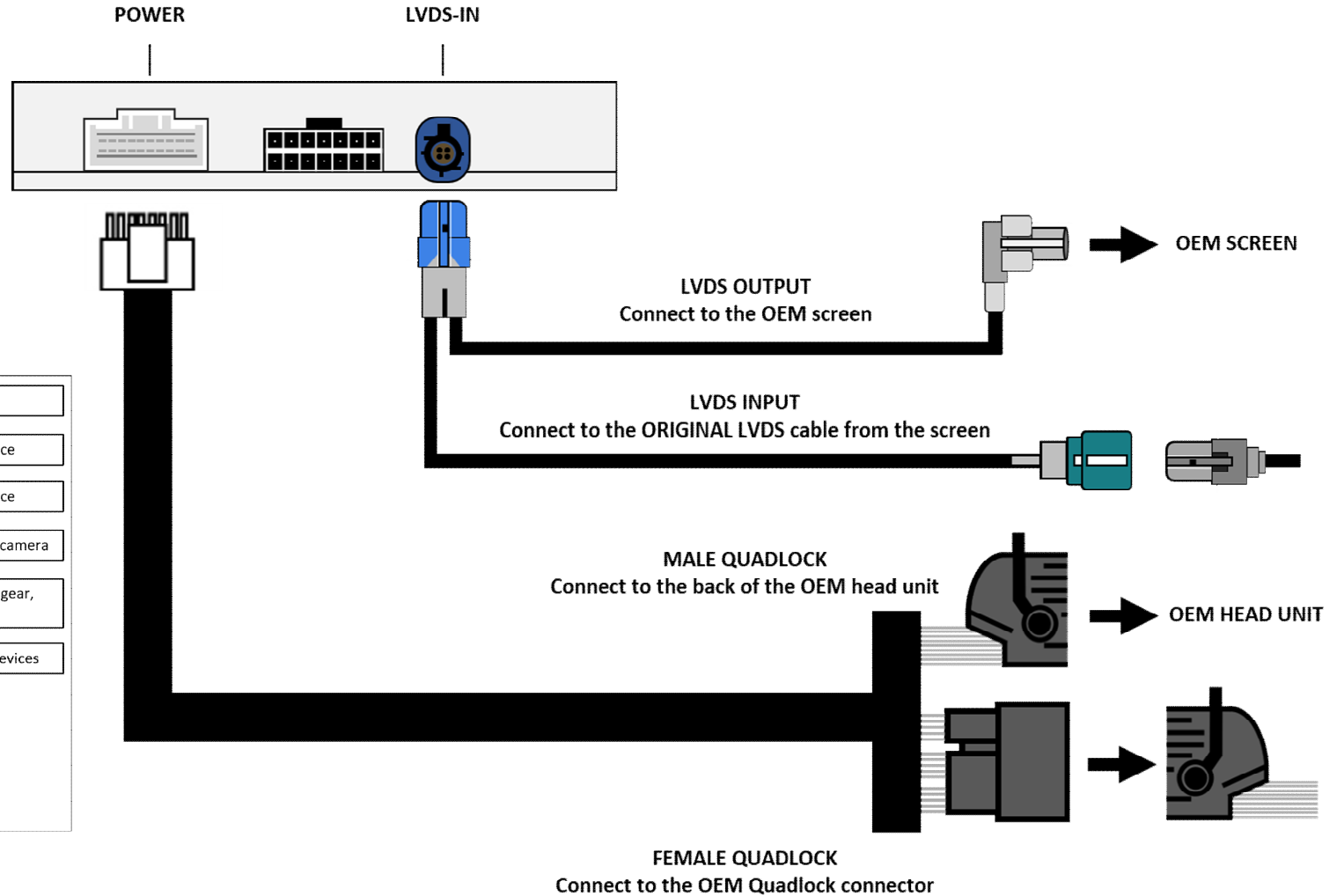


ONLY FOR CARS AN VANS WITH 7" or 8" screens measured from corner to corner and not including buttons.

**CONNECTION DIAGRAM**



— WHITE	IR, N/A
— DVR GND	Supply power for external A/V device
— DVR B+	Supply power for external A/V device
— REV POW	Camera 12V out, power supply for Rear camera
— 360 DET	If screen doesn't switch upon reverse gear, connect to reversing light
— DVR ACC	Power supply for DVR or other video devices
— F VIDEO	Front Camera In
— BACKACAR VIDEO	Rear Camera In
— DVR VIDEO	DVR Camera In

**DIP SWITCH SETTINGS**

Please disconnect & reconnect interface power after changing any DIP setting

Always start with CAN detect OFF,ON (dipswitch 1 , 2)



If an expected vehicle setting does not work , try others in turn

If you select ON ,OFF (reverse detect and using brown wire to reverse light feed) i.e Non CANbus, then you lose moving guidelines and any factory PDC display.

Also, if you have a vehicle without factory PDC and you want moving guide lines ( CANbus detect), then a PDC display will appear but not work .

Dip	ON ↓	OFF ↑
1	OFF OFF	OEM rear camera
	OFF ON	Aftermarket rear camera (CAN detect)
2	ON OFF	Aftermarket rear camera (Reverse detect)
3	Enable front camera	Disable front camera
4	Enable DVR	Disable DVR
5	OFF OFF OFF	2016-2018 308/408
	OFF OFF ON	2016-2018 4008/5008/C3-XR/C6
6	OFF ON OFF	2016-2018 Citroen C4 C-Quatre
	OFF ON ON	2019 Citroen C4 aircross 1280*720
7	ON OFF OFF	2019 4008/508 1280*720
	ON OFF ON	2019 408 1280*720
8	OFF	

Long press 3S "list" button on steering wheel to switch to DVR

For VANS 2018 on: (for dipswitches 5,6,7)

**OFF , OFF ,OFF**

Peugeot Expert, Traveller  
 Citroen Dispatch , Space Tourer,  
 Vauxhall Vivaro(2019>) Zafira Life  
 Toyota Proace , Proace Verso  
 Fiat Scudo (22>) Ulysse

**OFF, OFF, ON**

Peugeot Partner, Rifter  
 Citroen Berlingo  
 Vauxhall/ Opel Combo E  
 Toyota Proace City  
 Fiat Doblo (22>)



**DISPLAYING VIDEO -3**

Make sure DIP number 4 is "ON", press and hold the "LIST" button on the steering wheel or "MENU" for 3 Seconds to display external video.