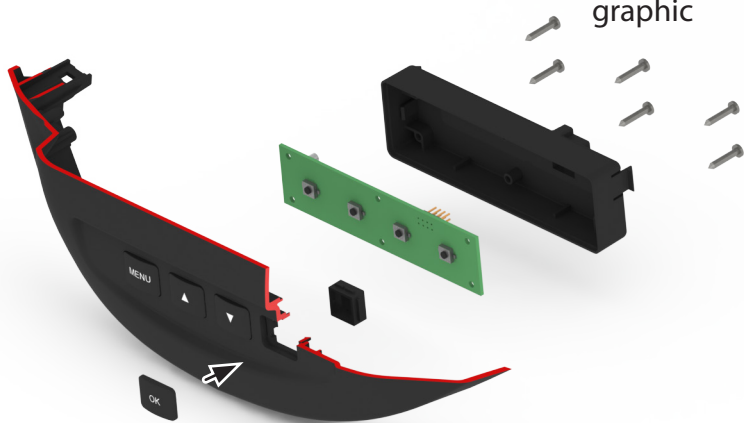


9. Reinstall top panel
Mount metal frame
Fix metal frame with
3 OEM screws (see arrows)

10. Mount replacement PCB and
buttons as shown in sample
graphic



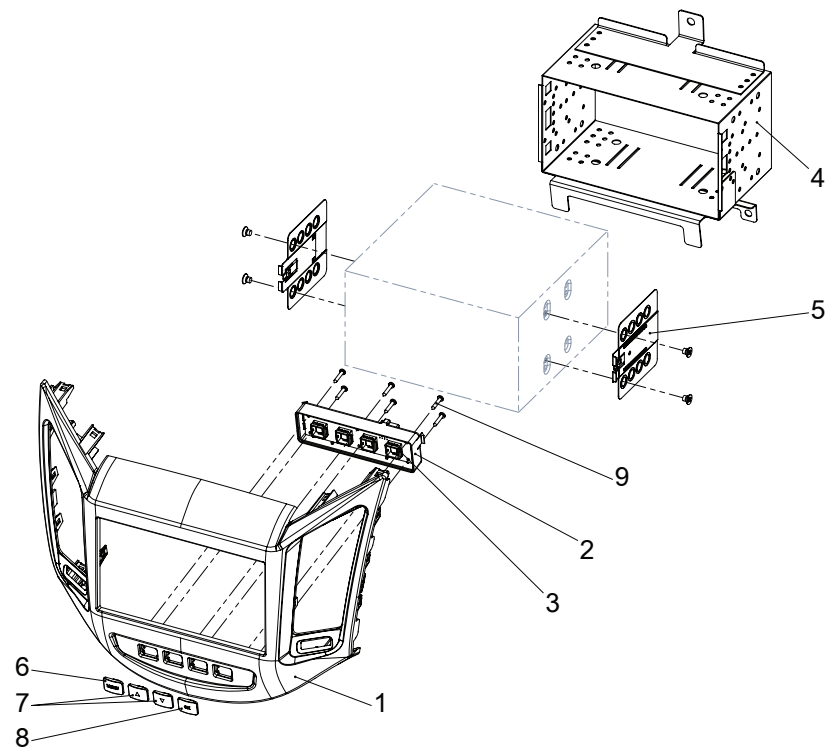
11. Connect all required circuit
points. Place Double DIN head.

Reinstall everything in reverse
order to finish installation.

• Chevrolet Orlando 2010-2014

Compatible with these double DIN devices

Double-DIN Navigation



- (1) Facia plate
- (2) Cover
- (3) Spring
- (4) Sheet Metal Frame

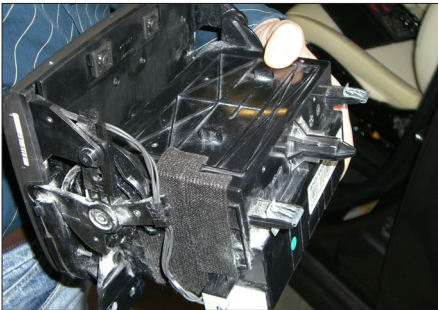
- (5) Mounting Kit
- (6) Button MENU
- (7) Button Arrow
- (8) Button - OK
- (9) Self-tapping convex fillister head screw



1. Unclip side panels (see arrows)



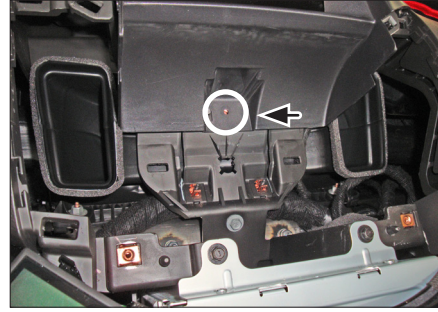
2. Remove side panels
Remove screws left and right



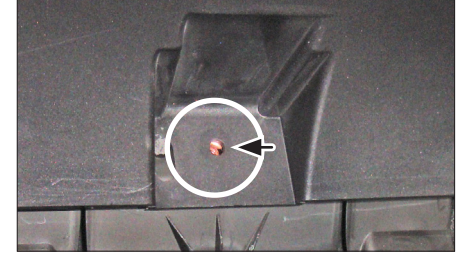
3. Remove panel



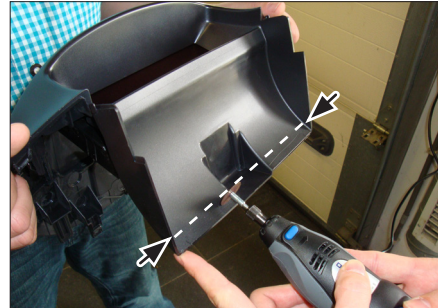
4. Dash board with removed panel



5. Remove screw of top panel



6. Remove top panel



7. Cut away app. 10 mm



8. Cut away pin (see arrow)

