

9. **2-DIN Install:**  
Mount mounting brackets  
to Double-DIN head unit  
Mount facia plate to brackets



10. Mount hazard light switch  
and passenger airbag buttons  
to facia plate

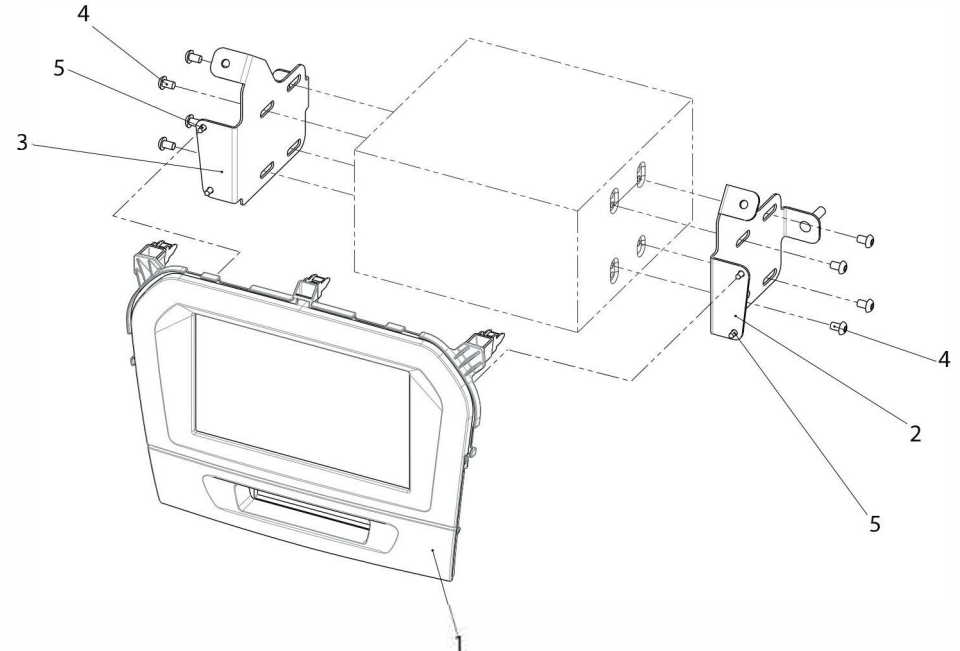


11. Connect all required circuit  
points. Mount Double-DIN head  
unit on dash board and fix it.  
Reinstall everything in reverse  
order

• **Suzuki Vitara (LY) 04/2015 - 2019**

Compatible with these Double-DIN devices:

**Double-DIN Navigation**



**Double DIN Set contents**

- (1) Facia Plate
- (2) Mounting bracket right
- (3) Mounting bracket left
- (4) flat headed screw
- (5) self-tapping screw with collar



1. Suzuki Vitara dash board with OEM head unit



2. Unclip center panel



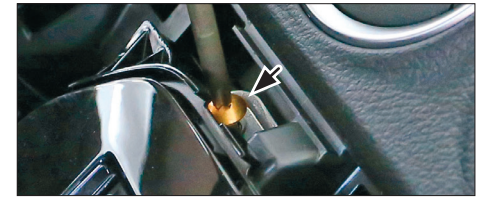
3. Remove center panel



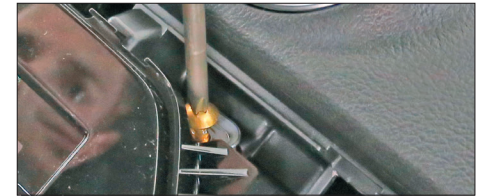
4. Suzuki Vitara dash board after removing center panel



5. Remove screws of OEM head unit left and right side



6. Remove screws of OEM head unit left and right side



7. Remove OEM head unit by pulling it toward your direction



8. Remove hazard light switch and Passenger Airbag buttons from OEM bezel