

## Acura/Honda/Isuzu 1988-2006 50-215

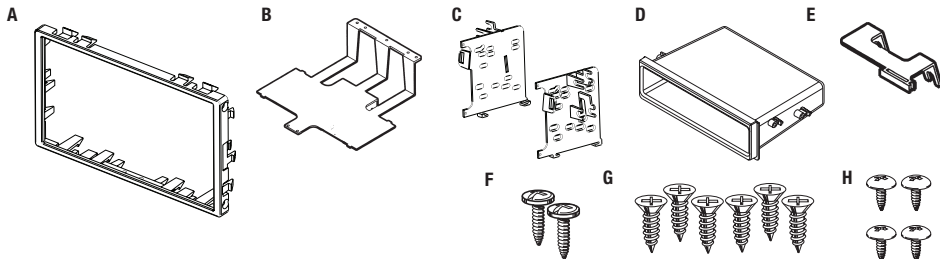
### KIT FEATURES

- ISO DIN radio provision with pocket
- ISO DDIN radio provision



### KIT COMPONENTS

- A) Radio housing • B) Rear support tray • C) ISO brackets • D) Pocket • E) Mounting bracket (Acura Legend)
- F) (2) #8 x 1/2" Phillips screws • G) (6) #6 x 1/4" Phillips screws • H) (4) #8 x 3/8" Phillips screws



### APPLICATIONS

See application list inside

### TOOLS REQUIRED

- Phillips screwdriver • Cutting tool
- 8mm socket wrench

**CAUTION!** All accessories, switches, climate controls panels, and especially air bag indicator lights must be connected before cycling the ignition. Also, do not remove the factory radio with the key in the on position, or while the vehicle is running.

## Applications

### Acura

CL.....	1997-1999
Integra.....	1990-2001
Legend.....	1991-1995
TL.....	1996-1998
Vigor.....	1992-1994

### Honda

Accord.....	1990-2002
Civic.....	1999-2000
Civic SE.....	2005 ( <i>only</i> )
CR-V.....	1997-2006
Odyssey.....	1995-1998
Odyssey ( <i>without NAV</i> ).....	1999-2004
Prelude.....	1988-2001

### Isuzu

Oasis.....	1996-1999
------------	-----------

## Table of Contents

### Dash Disassembly

#### Acura

– CL 1997-1999.....	3
– Integra 1990-1993.....	3
– Integra 1994-2001.....	4
– Legend 1991-1995.....	4
– TL 1996-1998.....	5
– Vigor 1992-1994.....	5

#### Honda

– Accord 1990-1993.....	6
– Accord 1994-1997.....	6
– Accord 1998-2002.....	7
– Civic 1999-2000.....	7
– Civic SE 2005 ( <i>only</i> ).....	8
– CR-V 1997-2001.....	9
– CR-V 2002-2006.....	10

### Honda (Cont'd)

– Odyssey 1995-1998.....	11
– Odyssey 1999-2004 ( <i>without NAV</i> ).....	11
– Prelude 1988-1991.....	12
– Prelude 1992-1996.....	13
– Prelude 1997-2001.....	13

### Isuzu

– Oasis 1996-1999.....	11
------------------------	----

### Kit Assembly

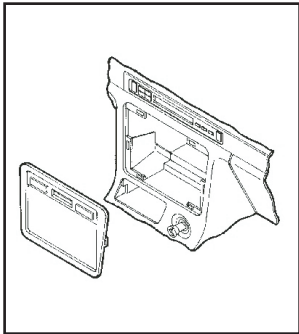
– ISO DIN radio provision with pocket.....	14-15
– ISO DDIN radio provision.....	16-17

## Dash Disassembly

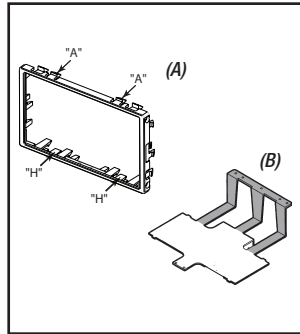
### Acura CL 1997-1999

1. Unclip the radio trim bezel and disconnect the clock and climate control wiring. Remove (2) 8mm hex-head screws securing the factory radio and disconnect the wiring. (Figure A)
2. Cut and remove all mounting clips on the *radio housing* EXCEPT clips "A" and "H" (Figure B, A). Cut and remove the rear brackets from the *rear support tray*. (Figure B, B)

*Continue to kit assembly*



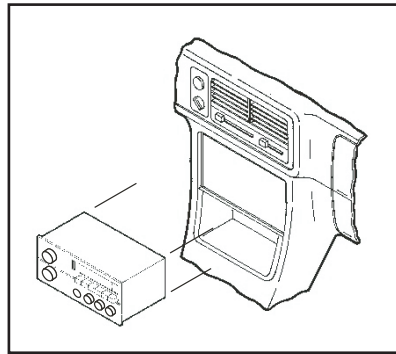
(Figure A)



(Figure B)

### Acura Integra 1990-1993

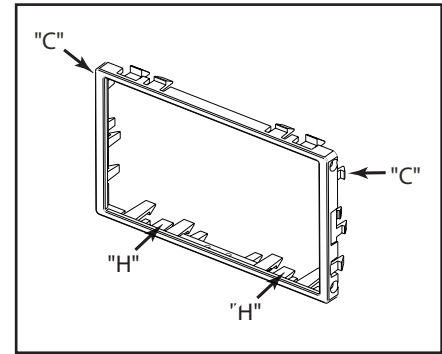
1. Remove (3) screws from each side of the center console and remove the console. Remove (2) screws securing the factory radio to the sub-dash support bracket. Slide the radio/pocket assembly out and disconnect the wiring. (Figure A)



(Figure A)

2. Cut and remove all mounting clips on the radio housing EXCEPT clips "C" and "H". (Figure B)

*Continue to kit assembly*



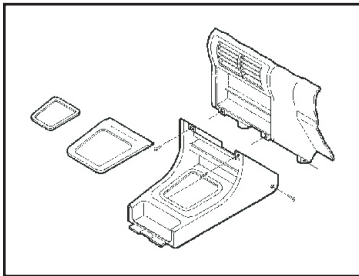
(Figure B)

## Dash Disassembly

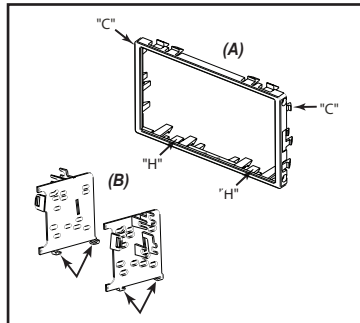
### Acura Integra 1994-2001

1. Remove the cover cap located under the emergency brake and remove (2) screws exposed. Remove (2) screws from the rear corners of the lower dash trim bezel and remove. Remove the ashtray and (2) screws exposed. Unsnap the ashtray housing and disconnect the cigarette lighter harness. Remove the gear shifter knob and unsnap the shifter trim. Remove (2) screws below the radio opening and remove the upper dash trim bezel. Remove (2) 8mm screws securing the factory radio and disconnect the wiring. (Figure A)
2. Cut and remove all mounting clips on the radio housing EXCEPT clips "C" and "H" (Figure B, A). Cut and remove the slots on the bottom of the ISO brackets (Figure B, B). **Note:** The rear support tray will not be used in this application.

*Continue to kit assembly*



(Figure A)

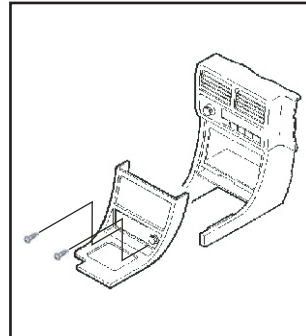


(Figure B)

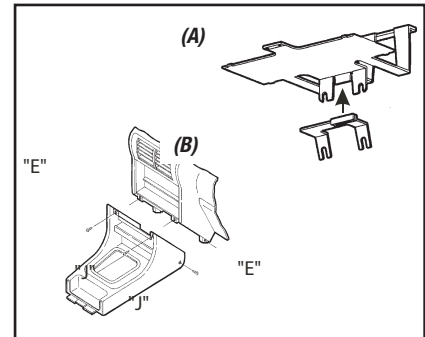
### Acura Legend 1991-1995

1. Remove (2) screws below the ashtray. Unclip the dash trim bezel. Disconnect the cigarette lighter wiring and remove the bezel. Remove (2) bolts securing the rear of the factory radio and disconnect the wiring. (Figure A)
2. Attach the mounting bracket to the bottom of the rear support tray (Figure B, A). Cut and remove all mounting clips on the radio housing EXCEPT clips "E" and "J". (Figure B, B)

*Continue to kit assembly*



(Figure A)



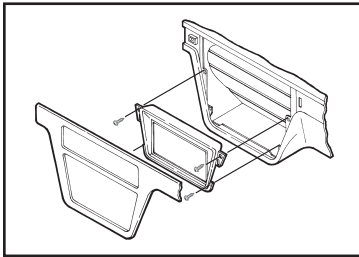
(Figure B)

## Dash Disassembly

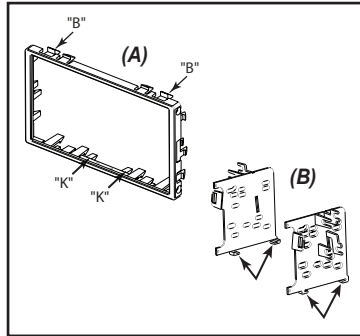
### Acura TL 1996-1998

1. Using a small screwdriver, unclip the perimeter of the radio trim bezel. Disconnect the climate control and rear defroster wiring and remove the bezel. Remove (4) Phillips screws securing the factory radio/trim bezel assembly. Loosen (2) Phillips screws securing the back of the radio to the metal housing and slide the radio out (it is NOT necessary to remove the screws securing the metal housing to the bezel). Disconnect the wiring. (Figure A)
2. Cut and remove all mounting clips on the radio housing EXCEPT clips "B" and "K" (Figure B, A). Cut and remove the slots on the bottom of the ISO brackets. (Figure B, B) **Note:** The rear support tray will not be used in this application.

*Continue to kit assembly*



(Figure A)

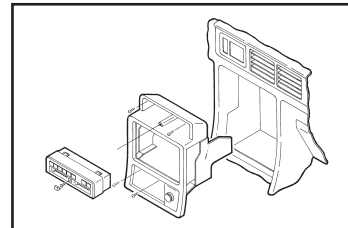


(Figure B)

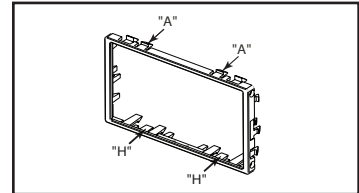
### Acura Vigor 1992-1994

1. Remove the access cap from the climate control cluster and (1) screw exposed. Unclip the cluster and remove (2) screws exposed. Remove the ashtray and (2) Phillips screws exposed. Remove the cover caps from each front corner of the center console and the screws exposed. Open the storage compartment, lift up the carpet and remove (2) screws exposed. Lift up on the center console and remove. Unclip the radio trim bezel and disconnect the wiring. Remove (2) bolts from the back of the factory radio and disconnect the wiring. (Figure A)
2. Cut and remove all mounting clips on the radio housing EXCEPT clips "A" and "H". (Figure B)
3. Modify the factory radio housing by trimming the shaded portions of the housing lip. (Figure C)

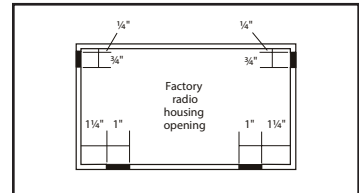
*Continue to kit assembly*



(Figure A)



(Figure B)



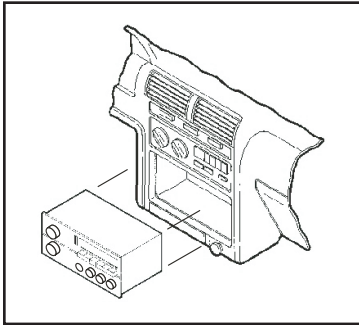
(Figure C)

## Dash Disassembly

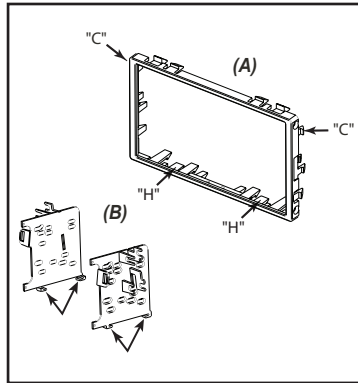
### Honda Accord 1990-1993

1. Remove (4) screws from the lower portion of the center console. Remove the gear shifter knob and lift the console out. Remove the ashtray and ashtray bracket. Remove (2) screws from the bottom of the radio support, slide the radio out and disconnect the wiring. (Figure A)
2. Cut and remove all mounting clips on the radio housing EXCEPT clips "C" and "H" (Figure B, A). Cut and remove the slots on the bottom of the *ISO brackets* (Figure B, B). **Note:** The rear support tray will not be used in this application.

Continue to kit assembly



(Figure A)

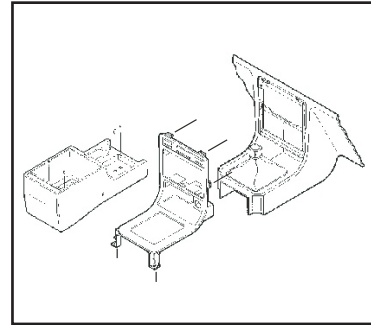


(Figure B)

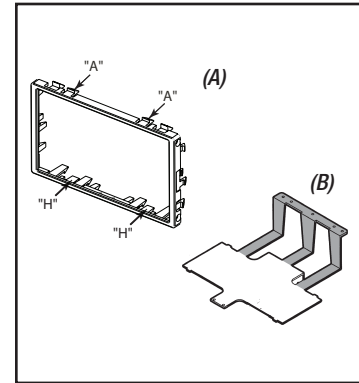
### Honda Accord 1994-1997

1. Remove the ashtray and (1) 3/4" #8 Phillips screw exposed. Open the storage compartment and remove (2) #8 Phillips screws exposed. Remove the cup holder tray and (3) #8 Phillips screws inside. Lift the center console out and remove (2) Phillips screws exposed at the base of the dash trim bezel. Unclip the bezel and remove. Remove (2) hex-head screws securing the factory radio and disconnect the wiring. (Figure A)
2. Cut and remove all mounting clips on the radio housing EXCEPT clips "A" and "H" (Figure B, A). Cut and remove the rear brackets from the rear support tray (Figure B, B).

Continue to kit assembly



(Figure A)



(Figure B)

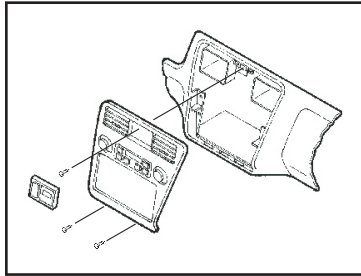
## Dash Disassembly

### Honda Accord 1998-2002

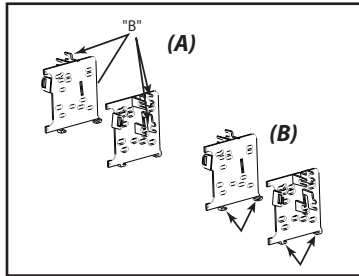
1. Unsnap the clock panel, disconnect the wiring and remove. Remove (1) Phillips screw exposed in the clock cavity. Remove (2) Phillips screws below the factory radio. Unclip the radio trim bezel and disconnect the wiring. Remove (4) Phillips screws securing the factory radio assembly and disconnect the wiring. Remove (2) screws securing the factory pocket to the assembly. (Figure A)
2. Cut and remove tabs "B" from the *ISO brackets* (the clips can be identified by the stamped letter on the back of the housing, near each clip) (Figure B, A). Cut and remove the slots on the bottom of the *ISO brackets* (Figure B, B).

**Note:** The rear support tray will not be used in this application.

Continue to kit assembly



(Figure A)

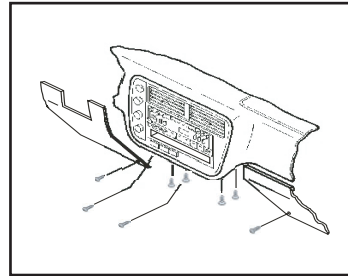


(Figure B)

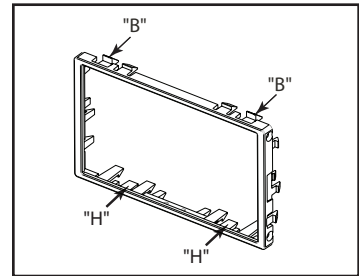
### Honda Civic 1999-2000

1. Remove (2) Phillips screws from the bottom edge of the glove box door and remove the door. Remove (3) Phillips screws from the lower steering column panel. Pull straight down on the lower steering column panel and remove the panel. Remove (2) Phillips screws under the climate controls. Remove (4) Phillips screws from the lower dash location. Remove (4) Phillips screws securing the bottom of the dash trim bezel/radio assembly and pull the assembly out as far as possible. Cut the zip ties securing the radio and climate control wires, slide dash trim bezel/radio assembly from the dash cavity and disconnect the wiring. (Figure A)
2. Cut and remove all mounting clips on the radio housing EXCEPT clips "B" and "H". (Figure B)

Continue to kit assembly



(Figure A)



(Figure B)

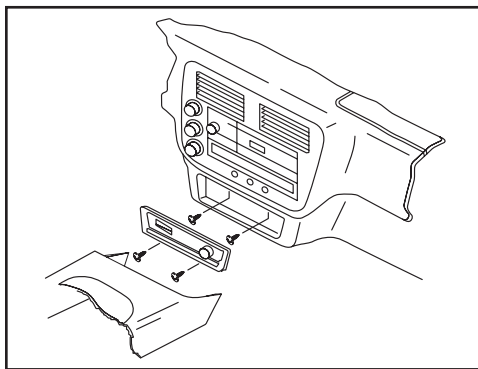
## Dash Disassembly

### Honda Civic SE 2005 (only)

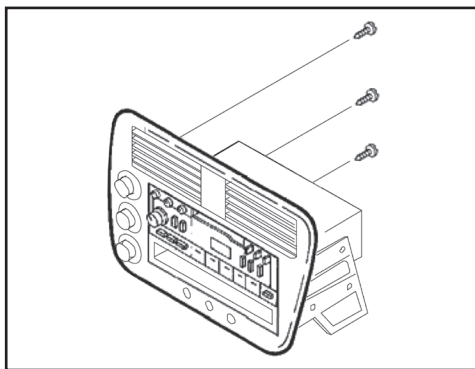
1. Unsnap and remove the trim ring from around floor shifter.
2. Unsnap and remove larger trim around floor console shifter.
3. Remove (2) Phillips screws from in between cup holder and shifter. (Figure A)
4. Unsnap sides of console (2 snaps per side) and remove with power outlet assembly.
5. Remove (2) Phillips screws from under radio assembly, facing up. (Figure A)
6. Remove (3) screws securing the climate control pod to the back of the dash trim bezel and remove the pod. (Figure B)
7. Remove (4) Phillips screws from each side securing the factory head radio to the bracket assembly and remove the radio.

8. Cut and remove all mounting clips on the radio housing, EXCEPT clips "B" and "H" (the clips can be identified by the stamped letter on the back of the housing, near each clip). (Figure C)

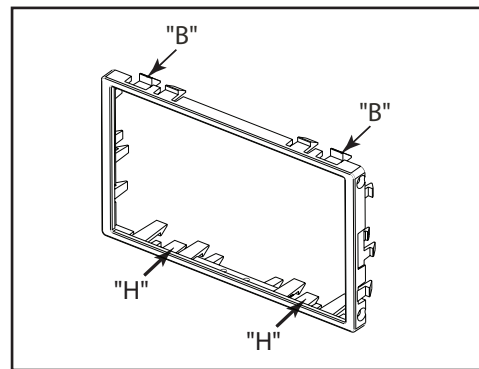
*Continue to kit assembly*



(Figure A)



(Figure B)



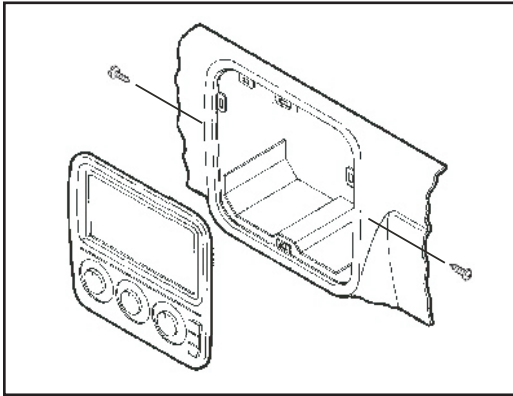
(Figure C)



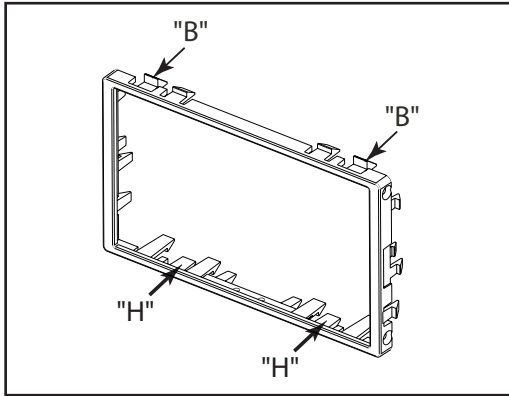
## Dash Disassembly

### Honda CR-V 1997-2001

1. Open the glove box, squeeze the retaining clips and remove the stoppers. Lower the glove box and remove (2) Phillips screws from the left edge. Remove (2) Phillips screws from the lower steering column panel and remove. Unclip the lower console cover (below the ashtray and pocket) and remove. Remove (2) Phillips screws from the base of the center console, open the console pocket and remove the (4) outer screws exposed. Unclip the center console and remove. Remove (2) Phillips screws securing the radio trim bezel, disconnect the wiring, and remove the trim bezel/radio assembly. Remove (4) Phillips screws securing the radio to the bezel and remove. (Figure A)
2. Cut and remove all mounting clips on the radio housing EXCEPT clips "B" and "H" (Figure B, A).  
*Continue to kit assembly*



(Figure A)

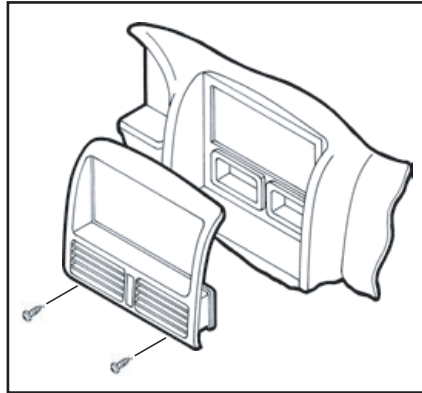


(Figure B)

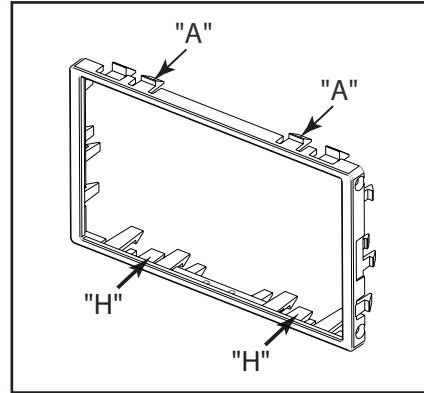
## Dash Disassembly Honda CR-V 2002-2006

1. Remove (2) Phillips from the bottom edge of the radio trim bezel. Unclip the trim bezel and remove. Remove (4) Phillips screws securing the factory radio and disconnect the wiring. (Figure A)
2. Cut and remove all mounting clips on the *radio housing* EXCEPT clips "A" and "H". (Figure B)

*Continue to kit assembly*



(Figure A)



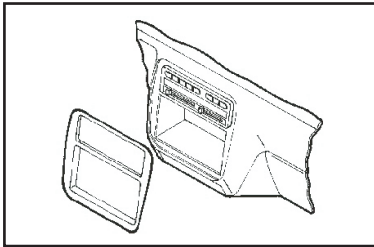
(Figure B)

## Dash Disassembly

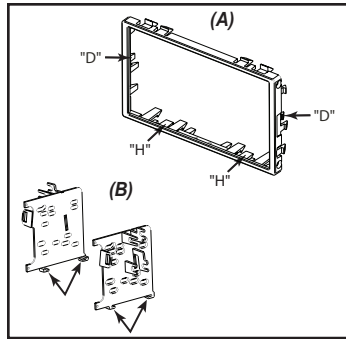
### Honda Odyssey 1995-1998 / Isuzu Oasis 1996-1999

1. Lower the glove box assembly. Remove (2) Phillips screws exposed on the right side of the underdash. Remove (2) Phillips screws from the driver's side knee bolster and (1) Phillips screw in the coin pocket. Remove (5) Phillips screws from the underdash panel and remove the panel. Remove (4) Phillips screws from the cup holder assembly and remove. Remove (2) Phillips screws securing the factory radio and disconnect the wiring. (Figure A)
2. Cut and remove all mounting clips on the radio housing EXCEPT clips "D" and "H" (Figure B, A). Cut and remove the slots on the bottom of the ISO brackets (Figure B, B). **Note:** The rear support tray will not be used in this application.

*Continue to kit assembly*



(Figure A)



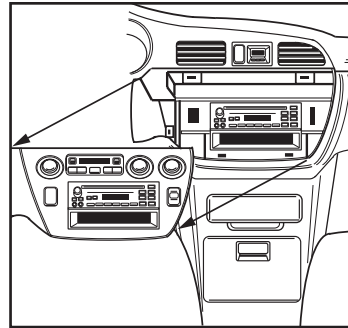
(Figure B)

### Honda Odyssey (without NAV) 1999-2004

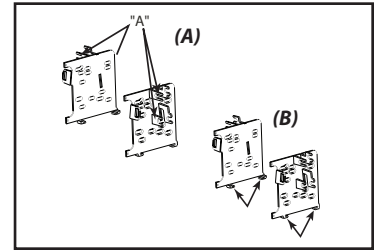
1. Unclip the radio trim bezel (including the climate control panel) and remove. Remove (4) Phillips screws securing the factory radio and disconnect the wiring. (Figure A)
2. Cut and remove tabs "A" from the ISO brackets (the clips can be identified by the stamped letter on the back of the housing, near each clip) (Figure B, A). Cut and remove the slots on the bottom of the ISO brackets (Figure B, B).

**Note:** The rear support tray will not be used in this application.

*Continue to kit assembly*



(Figure A)



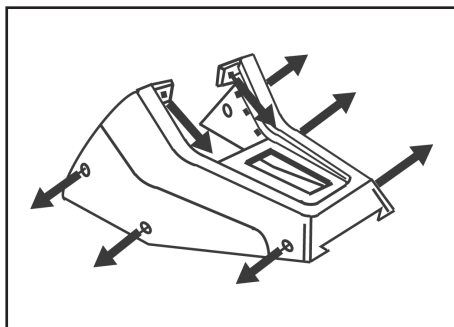
(Figure B)

## Dash Disassembly

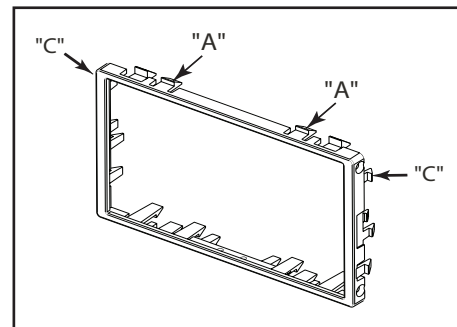
### Honda Prelude 1988-1991

1. Remove (2) Phillips screws located below the climate controls. (Figure A)
2. Remove (1) Phillips screw from each side of the dash console and (2) Phillips screws from each side of the floor console. (Figure A)
3. Remove the plastic dummy cap from the end of the dash console and (2) Phillips screws exposed. (Figure A)
4. Pull the floor console out and gently remove the dash console.
5. Remove (6) Phillips screws securing the factory radio and disconnect the wiring.
6. Cut and remove all of the mounting clips on the radio housing EXCEPT clips "A" and "C" (the clips can be identified by the stamped letter on the back of the housing, near each clip). (Figure B)

*Continue to kit assembly*



(Figure A)



(Figure B)

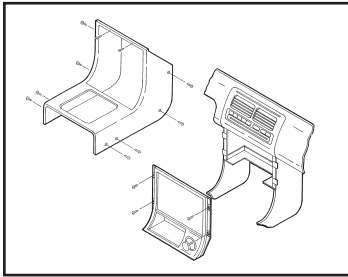
## Dash Disassembly

### Honda Prelude 1992-1996

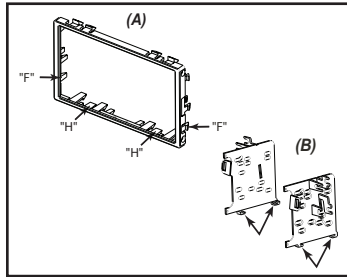
1. Remove (2) screws from the top of the console trim bezel. Slide the front seats back and remove (4) Phillips screws from each side of the bezel. Pull up on the console trim bezel and remove. Using an angled screwdriver, remove (2) screws securing the gear shifter bracket to the bezel. Remove (4) screws from the radio trim bezel, remove the factory radio assembly and disconnect the wiring. (Figure A)
2. Cut and remove all mounting clips on the radio housing EXCEPT clips "F" and "H" (Figure B, A). Cut and remove the slots on the bottom of the *radio brackets* (Figure B, B).

**Note:** The rear support tray will not be used in this application.

Continue to kit assembly



(Figure A)

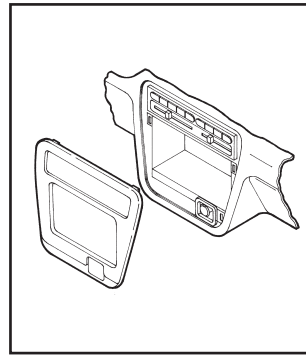


(Figure B)

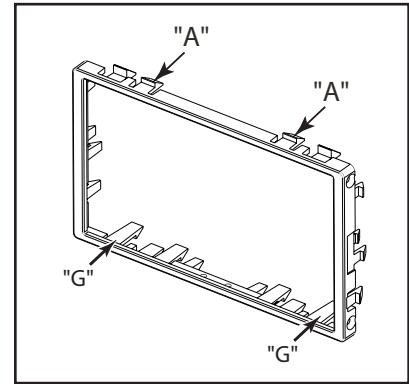
### Honda Prelude 1997-2001

1. Using a panel removal tool, unclip the radio trim bezel and remove (some force may be required). Remove (4) Phillips screws securing the factory radio/bracket housing assembly and disconnect the wiring. Remove (4) Phillips screws securing the factory radio to the bracket housing and remove. (Figure A)
2. Cut and remove all mounting clips on the radio housing EXCEPT clips "A" and "G". (Figure B)

Continue to kit assembly



(Figure A)



(Figure B)

## Kit Assembly

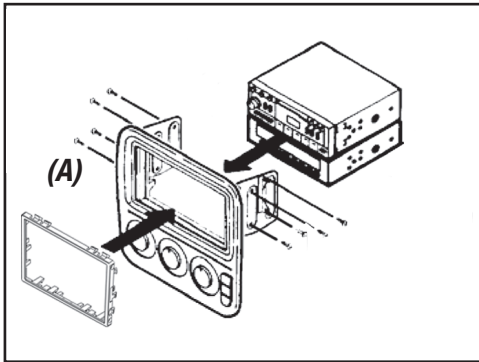
### ISO DIN radio provision with pocket

**Attention:** Use the steps below for the following vehicles: Honda CR-V 1997-2001, Honda Prelude 1997-2001, Honda Civic 1999-2000. For all other vehicles skip to the next page.

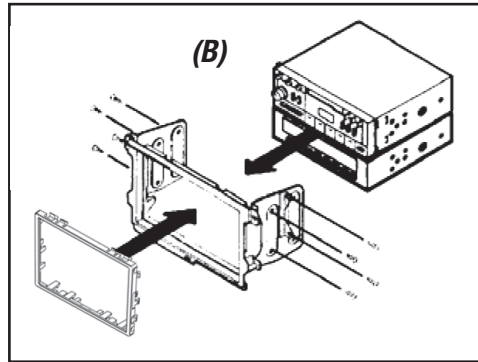
**(Honda CR-V 1997-2001, Honda Prelude 1997-2001, Honda Civic 1999-2000)**

1. Attach the *pocket* to the lower section of the factory bracket assembly using the (4) #8 x 3/8" Phillips screws provided.
2. Remove the metal DIN sleeve and trim ring from the aftermarket radio.
3. Slide the radio into the factory bracket assembly, and then secure using the screws supplied with the radio.

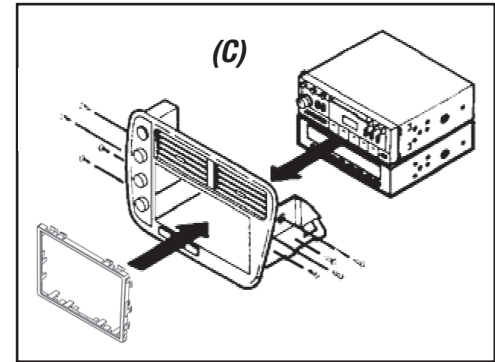
4. Snap the *radio housing* into the opening of the factory radio trim bezel.  
(Figure A Honda CR-V 1997-2001)  
(Figure B Honda Prelude 1997-2001)  
(Figure C Honda Civic 1999-2000)
5. Locate the factory wiring harness and antenna connector in the dash, and complete all necessary connections to the radio. Metra recommends using the proper mating adapter from Metra and/or AXCESS. Test the radio for proper operation.
6. Reassemble the dash in reverse order of disassembly.



(Figure A)



(Figure B)



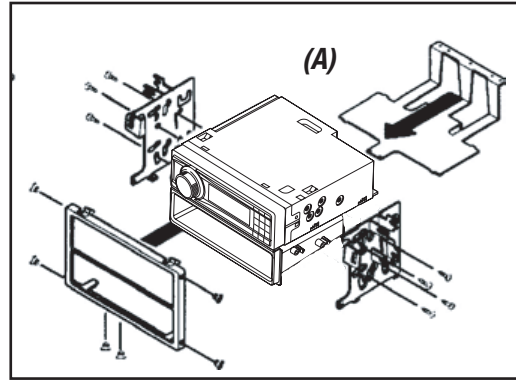
(Figure C)

## Kit Assembly

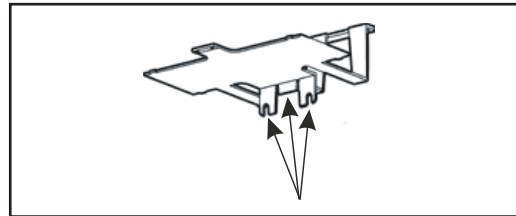
### ISO DIN radio provision with pocket (Cont'd)

#### (All other vehicles)

1. Attach the *pocket* to the lower section of the *ISO brackets* using the (4) #8 x 3/8" Phillips screws provided. (Figure A)
2. Remove the metal DIN sleeve and trim ring from the aftermarket radio.
3. Slide the radio into the bracket/pocket assembly, and then secure using the screws supplied with the radio. (Figure A)
4. Slide the *rear support tray* under the radio, position the *radio housing* over the pocket/radio, and then secure the assembly to the *ISO brackets* with the (4) #6 x 1/4" Phillips screws supplied. (Figure A)
5. Secure the *rear support tray* with the (2) #6 x 1/4" Phillips screws supplied. (Figure A)
6. Locate the factory wiring harness and antenna connector in the dash, and complete all necessary connections to the radio. Metra recommends using the proper mating adapter from Metra and/or AXXESS. Test the radio for proper operation.
7. **(a) Honda Accord 1994-1997, Acura CL 1997-1999:**
  1. Mount the completed assembly into the radio cavity with the (2) screws previously removed in dash disassembly.
  2. Reassemble the dash in reverse order of disassembly.
- (b) Honda Accord 1998-2002, Honda Odyssey (without NAV) 1999-2004:**
  1. Mount the completed assembly into the radio cavity with the (4) screws previously removed in dash disassembly.
  2. Reassemble the dash in reverse order of disassembly.
- (c) For all other applications:**
  1. Cut and remove all the mounting tabs on the *ISO brackets*.
  2. Cut and remove the mounting tabs from the bottom of the *rear support tray*. (Figure B).
  3. Reassemble the dash in reverse order of disassembly.
  4. Snap the completed assembly into the radio cavity.



(Figure A)



(Figure B)

## Kit Assembly

### ISO DDIN radio provision

**Attention:** Use the steps below for the following vehicles: Honda CR-V 1997-2001, Honda Prelude 1997-2001, Honda Civic 1999-2000. For all other vehicles skip to the next page.

(Honda CR-V 1997-2001, Honda Prelude 1997-2001, Honda Civic 1999-2000)

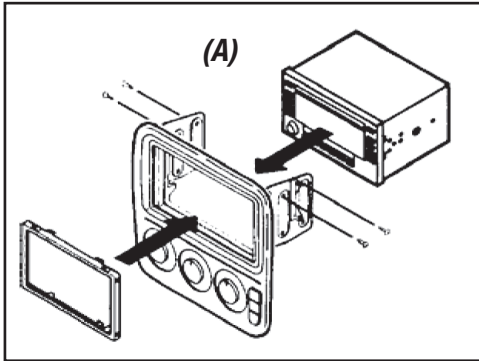
1. Slide the radio into the factory bracket assembly.
2. Align the holes in the brackets with the holes in the radio, and then secure it with the screws supplied with the radio.
3. Snap the *radio housing* into the opening of the factory radio trim bezel.

(Figure A Honda CR-V 1997-2001)

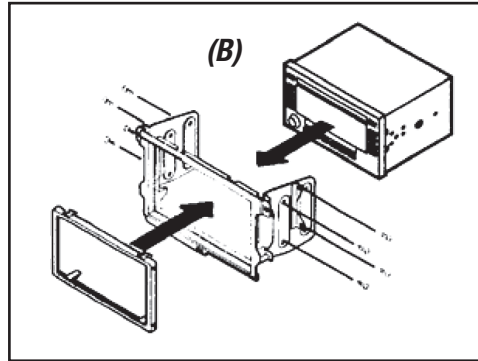
(Figure B Honda Prelude 1997-2001)

(Figure C Honda Civic 1999-2000)

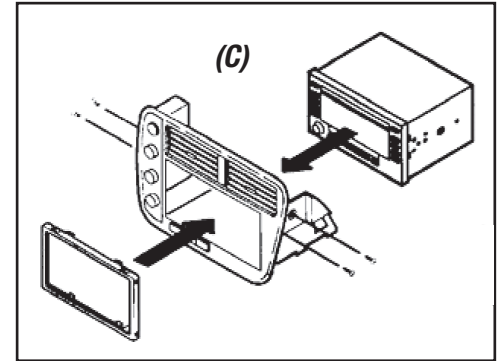
4. Locate the factory wiring harness and antenna connector in the dash, and complete all necessary connections to the radio. Metra recommends using the proper mating adapter from Metra and/or AXXESS. Test the radio for proper operation.
5. Reassemble the dash in reverse order of disassembly.



(Figure A)



(Figure B)



(Figure C)

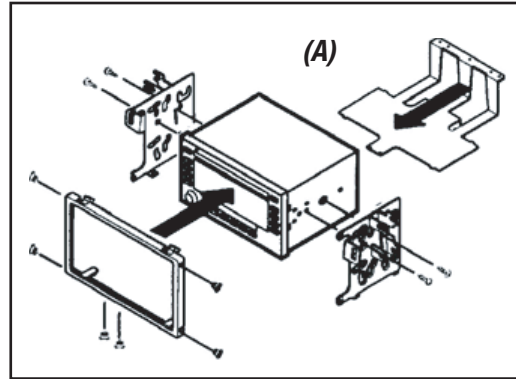


## Kit Assembly

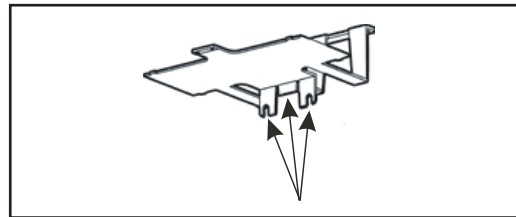
### ISO DDIN radio provision (Cont'd)

#### (All other vehicles)

1. Align the holes in the *ISO brackets* with the holes in the radio, and then secure it with the screws included with the radio. (Figure A)
2. Slide the *rear support tray* under the radio, position the *radio housing* over the radio, and then secure the assembly to the *ISO brackets* with the (4) #6 x 1/4" Phillips screws supplied. (Figure A)
3. Secure the *rear support tray* with the (2) #6 x 1/4" Phillips screws supplied. (Figure A)
4. Locate the factory wiring harness and antenna connector in the dash, and complete all necessary connections to the radio. Metra recommends using the proper mating adapter from Metra and/or AXXESS. Test the radio for proper operation.
5. **(a) Honda Accord 1994-1997, Acura CL 1997-1999:**
  3. Mount the completed assembly into the radio cavity with the (2) screws previously removed in dash disassembly.
  4. Reassemble the dash in reverse order of disassembly.
6. **(b) Honda Accord 1998-2002, Honda Odyssey (without NAV) 1999-2004:**
  3. Mount the completed assembly into the radio cavity with the (4) screws previously removed in dash disassembly.
  4. Reassemble the dash in reverse order of disassembly.
7. **(c) For all other applications:**
  5. Cut and remove all the mounting tabs on the *ISO brackets*.
  6. Cut and remove the mounting tabs from the bottom of the *rear support tray*. (Figure B)
  7. Reassemble the dash in reverse order of disassembly.
  8. Snap the completed assembly into the radio cavity.



(Figure A)



(Figure B)