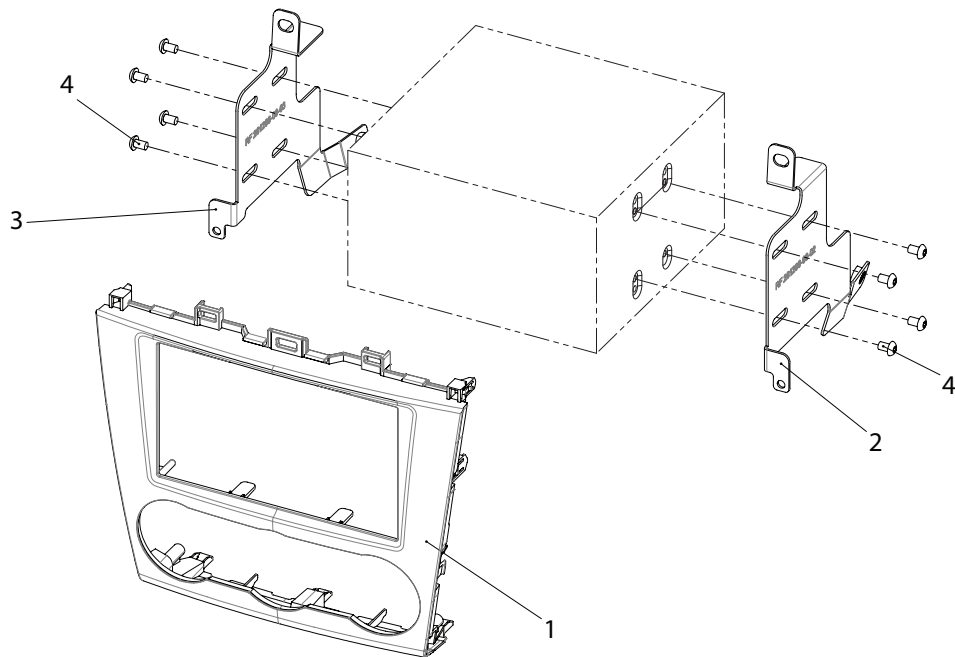


• Subaru Forester (SJ) Facelift 03/2015->

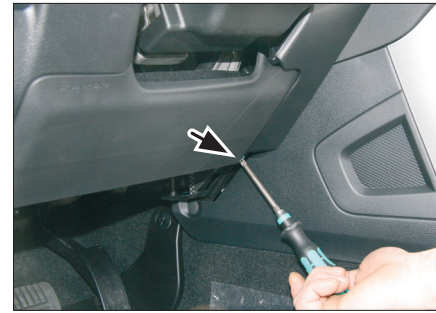
Compatible with these double DIN devices

50-908 - Double DIN Installation



Double DIN Set contents

- (1) Facia Plate
- (2) Mounting Bracket Right
- (3) Mounting Bracket Left
- (4) flat headed screw



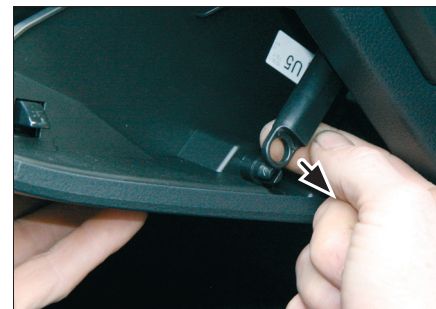
1. Remove screw of panel under the steering wheel



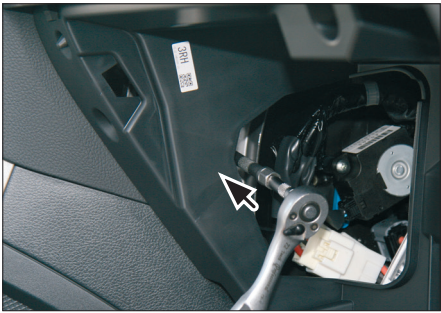
2. Remove panel under steering wheel



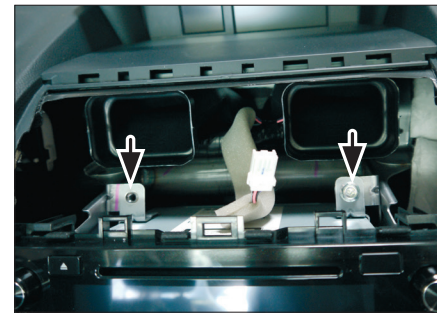
3. Remove screw (see arrow)



4. Unclip and remove glove box



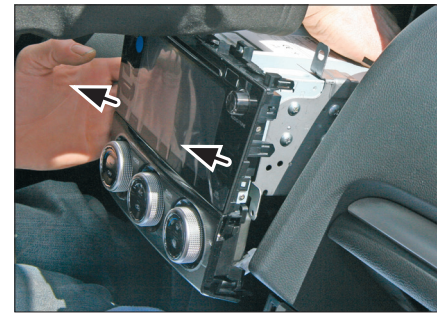
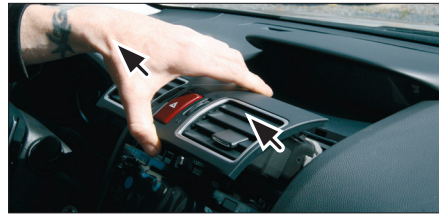
5. Remove screw



9. Remove screws of OEM head unit



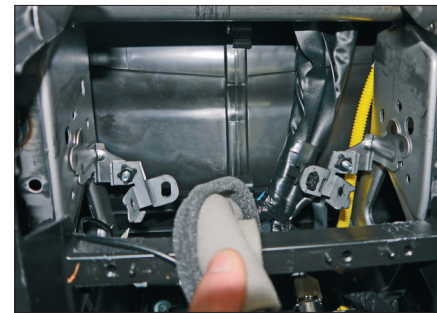
6. Unclip and remove air vents (unplug cables carefully)



10. Remove OEM head unit by pulling it towards your direction (unplug all cables carefully)



7. Remove deco panels on the left and right side



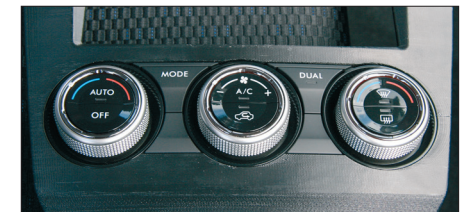
11. Dashboard with removed OEM head unit

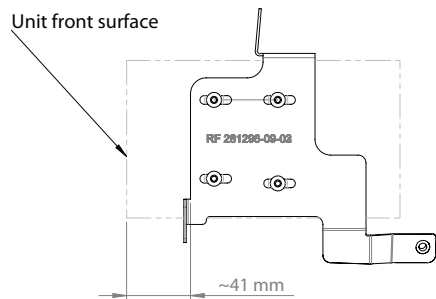


8. Remove screws (see arrows)



12. Mount climate control to new facia plate

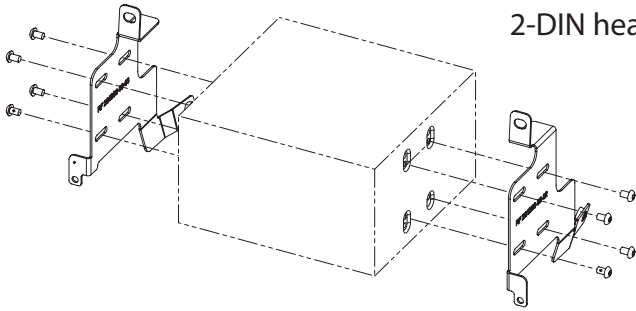




13. pre-assembly brackets

We recommend ~41 mm space to the front surface of the double DIN head unit

Mount brackets to 2-DIN head unit



14. Connect all required circuit points

Mount preassembled head unit to dashboard

Mount fascia plate to dashboard



15. Install everything in reverse order to finish installation