



9. Plug hazard light switch and Passenger Airbag switch

Place OEM panel

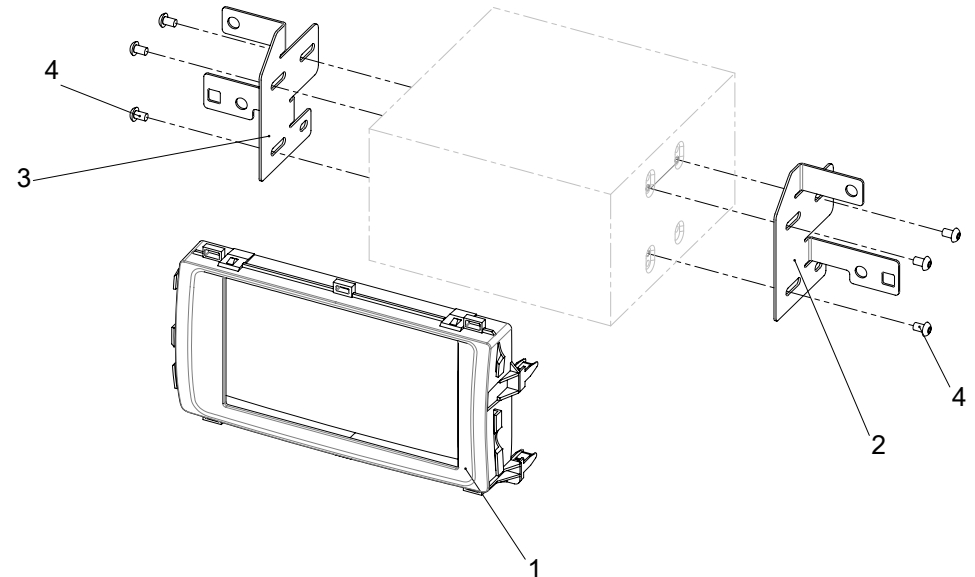
Reinstall everything in reverse order

Double-DIN Kit Installation Manual

- Toyota Auris 01/2013-> Typ (E15UT / E15UTN / HE15U)

Compatible with these navigation devices

Double DIN Navigation



Kit Content

- (1) Facia Plate
- (2) Mounting bracket right
- (3) Mounting bracket left
- (4) Flat Headed Screw

*All installation work must be performed by a qualified professional installer only.
The manufacturer / dealer is not liable for any kind of incidental or indirect damages.*



1. Toyota Auris OEM dash board



2. Remove plastic clips at left and right side beside climate control unit



3. Remove panel by pulling it towards your direction (see arrows)

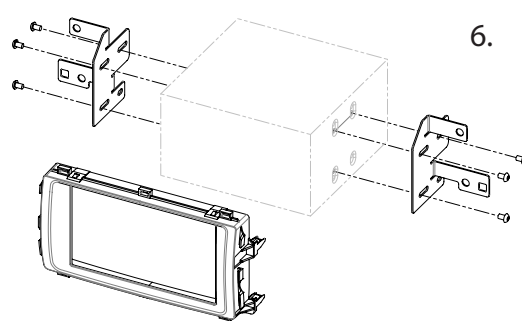
Unplug hazard light switch and Passenger Airbag switch carefully



4. Remove 4 screws of OEM head unit



5. Remove OEM head unit by pulling it towards your direction (see arrows)



6. Attach mounting frames to Double DIN head unit



7. Connect all required circuit points place Double DIN head unit and fix it with 4 screws (see arrows)



8. Place facia plate over Double DIN head unit