



Kia Sportage 2011-2016

KIT FEATURES

- ISO DDIN radio provision
- Painted Gray or Charcoal to match factory finish
G = Gray, CH = Charcoal

KIT COMPONENTS

- A) Radio trim panel • B) Radio brackets • C) (4) Panel clips

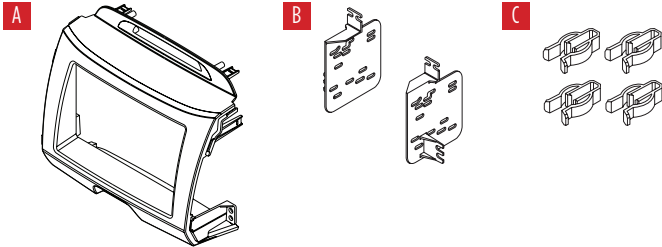


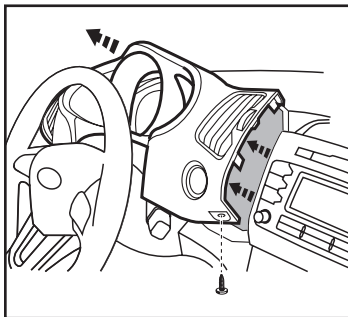
TABLE OF CONTENTS

Dash Disassembly	2
Kit Preparation	3
Kit Assembly	3

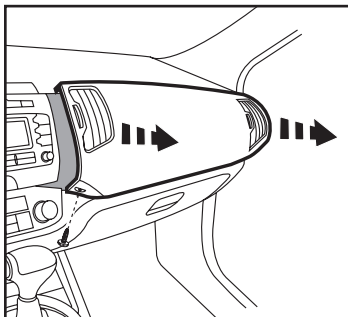
CAUTION! All accessories, switches, climate controls panels, and especially air bag indicator lights must be connected before cycling the ignition. Also, do not remove the factory radio with the key in the on position, or while the vehicle is running.

DASH DISASSEMBLY

1. Remove (1) Phillips screw in the instrument panel to the right of the “engine start” button. Unclip the top panel of the steering column, then unclip and remove the instrument panel. (Figure A)
2. Remove (1) Phillips screw securing the dash panel above the glove box, then unclip and remove the panel. (Figure B)



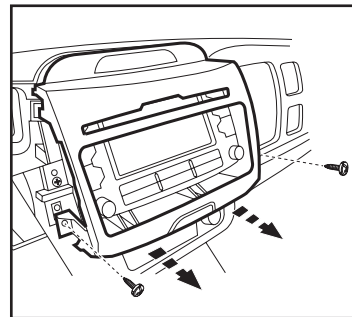
(Figure A)



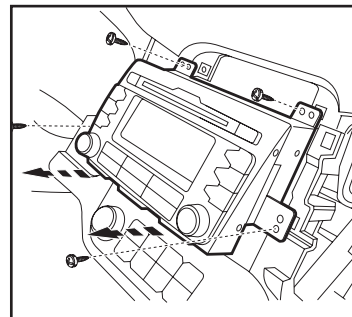
(Figure B)

3. Remove (2) Phillips screws securing the radio trim panel, then unclip and remove the panel. (Figure C)
4. Remove (4) Phillips screws securing the radio. Slide the radio out, then unplug and remove the radio. (Figure D)

Continue to Kit Preparation



(Figure C)

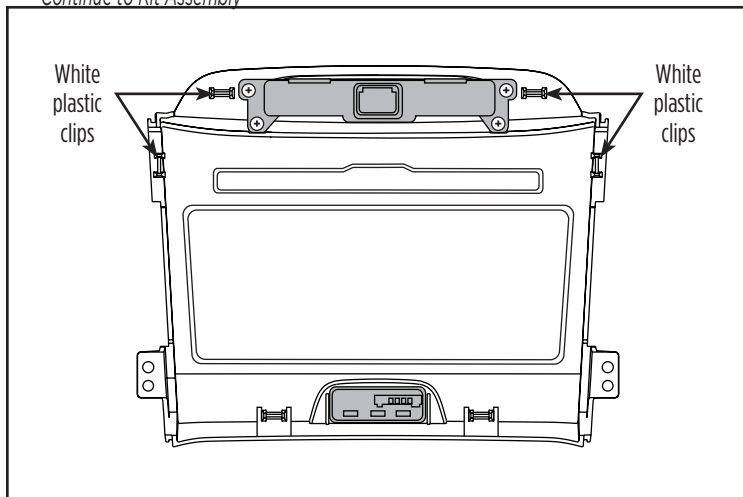


(Figure D)

KIT PREPARATION

1. Remove (4) Phillips screws securing the display to the factory panel, then remove the display.
2. Unclip and remove the hazard button.
3. Install both items to the radio trim panel using the factory hardware.
4. Attach the (4) *panel clips* provided onto the 95-7344 radio trim panel.

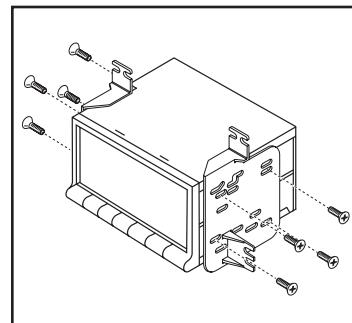
Continue to Kit Assembly



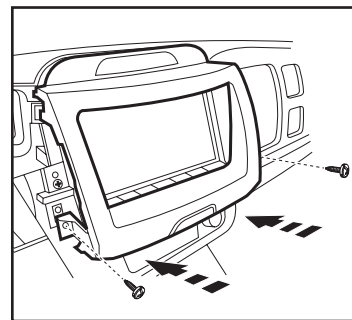
(Figure A)

KIT ASSEMBLY

1. Secure the *radio brackets* to the radio using the screws supplied with the radio. (Figure A)
2. Locate the factory antenna connector in the dash and complete all necessary connections to the radio. Do not turn the key to ignition to test the radio until step 4
3. Secure the completed assembly to the dash using the factory screws. (Figure B)
4. Connect the factory connectors to the display and hazard button, then clip the *radio trim panel* to the dash. Test the radio and all factory features for proper operation.
5. Reassemble the dash in reverse order of disassembly. (Figure B)



(Figure A)



(Figure B)