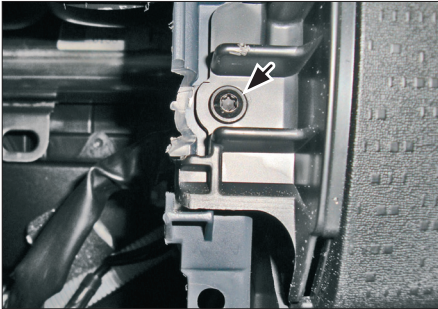


Installation Manual Double DIN Kit Mitsubishi Colt 2009



4. Remove OEM screws
(they are required for fixing of double DIN head unit)



5. Attach mounting brackets to double DIN Navigation

Fix double DIN with OEM screws



6. Place fascia plate until it snaps in

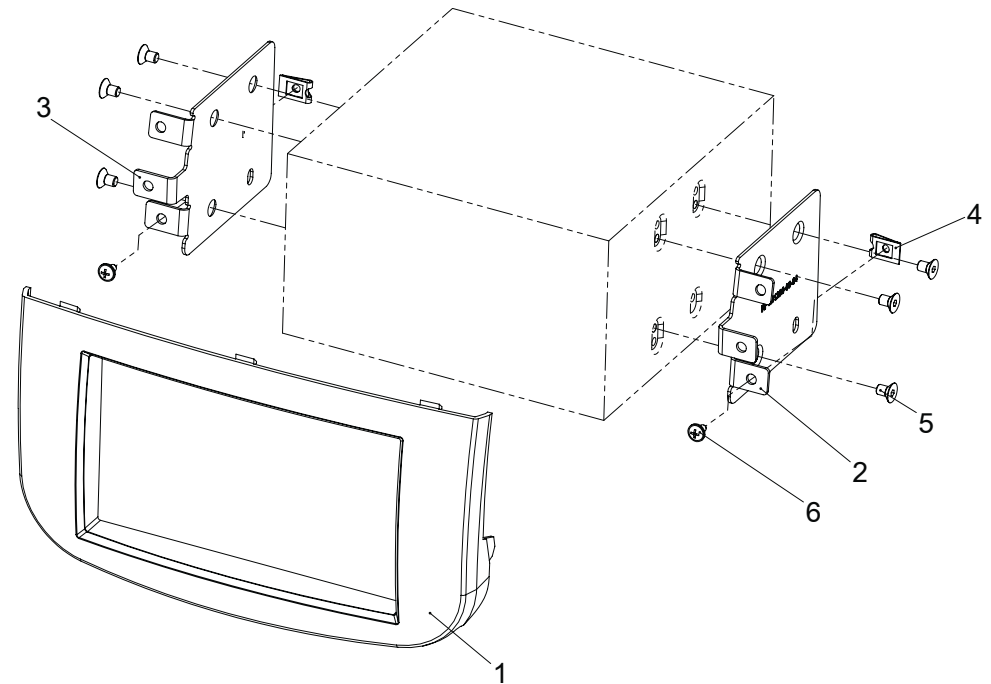
Installation Manual Double DIN Kit

50-886

• Mitsubishi Colt 2009->

Compatible with these double DIN devices

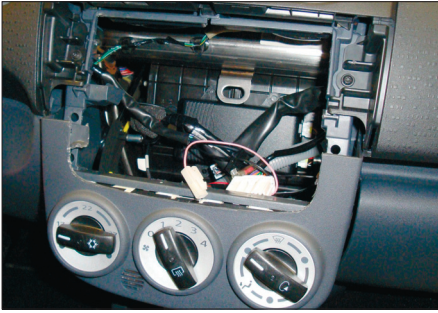
Kenwood Navigation



- Double DIN Set contents
- (1) fascia Plate
 - (2) mounting bracket (right)
 - (3) mounting bracket (left)

- (4) speed nut
- (5) hexagon socket countersunk flat head screw
- (6) self-tapping screw with collar

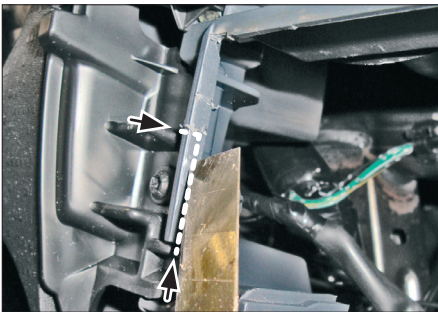
Installation Manual Double DIN Kit Mitsubishi Colt



1. Remove OEM head unit
Remove OEM panel with pocket



2. Cut out side pin (left and right)
(see arrow for detail)



3. Cut fin vertically (see dashed line)

Cut out OEM pocket carefully (see lines)



*All installation work must be performed by a qualified professional installer only.
The manufacturer / dealer is not liable for any kind of incidental or indirect damages.*