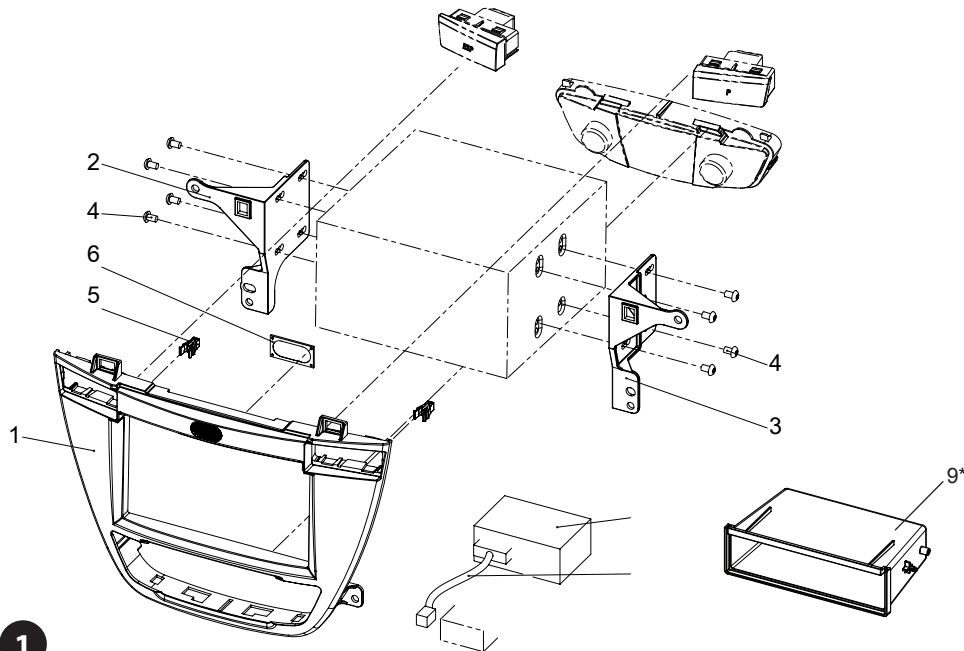


## Installation Manual Double DIN Kit

- Opel Insignia 2009 ->
- Vauxhall Insignia 2009->

### Double DIN Kit contents

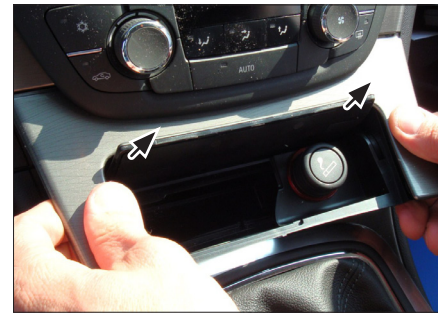
- (1) Facia Plate
- (2) Mounting Bracket Left
- (3) Mounting Bracket Right
- (4) Fixing screws
- (5) Fixing clips
- (6) Speaker
- (7) Pocket (1-DIN install)\*



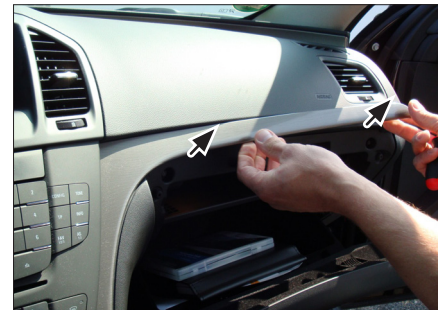
1



1. Insignia OEM dash board



2. Unclip cover of cigarette lighter  
Remove cigarette lighter unit



3. Unclip side panel (left)  
and remove it



4. Unclip side panel (right)  
and remove it

2



5. Unclip and remove OEM display



6. Unclip and remove OEM head unit

Remove OEM CD/Radio unit

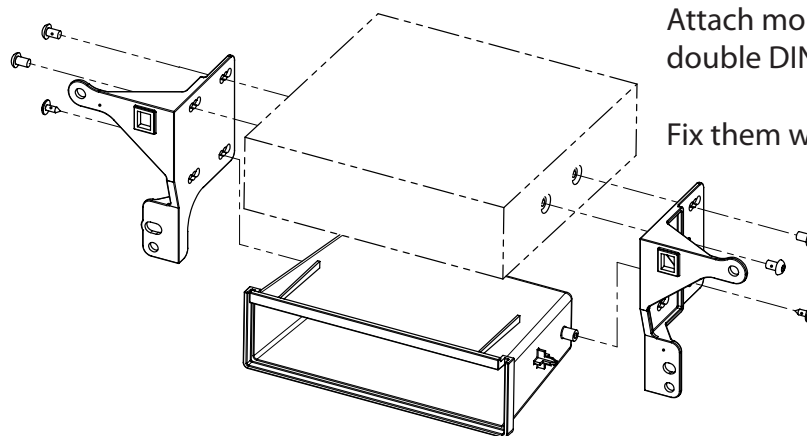


7. Remove OEM cd/radio parts



8. Remove air condition control unit from OEM panel

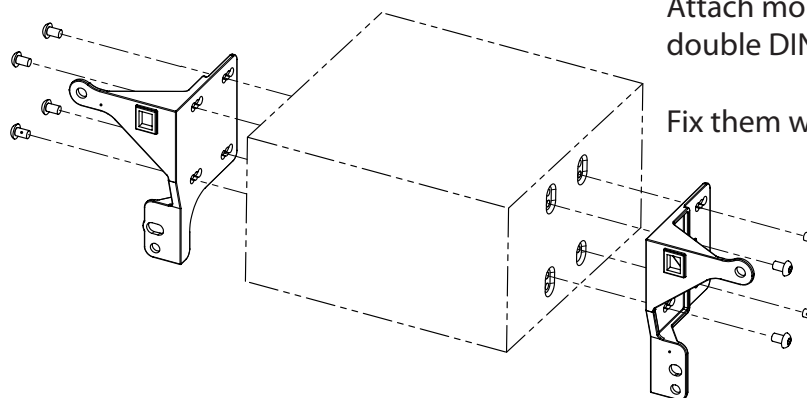
9. **1-DIN radio:**



Attach mounting brackets to double DIN head unit

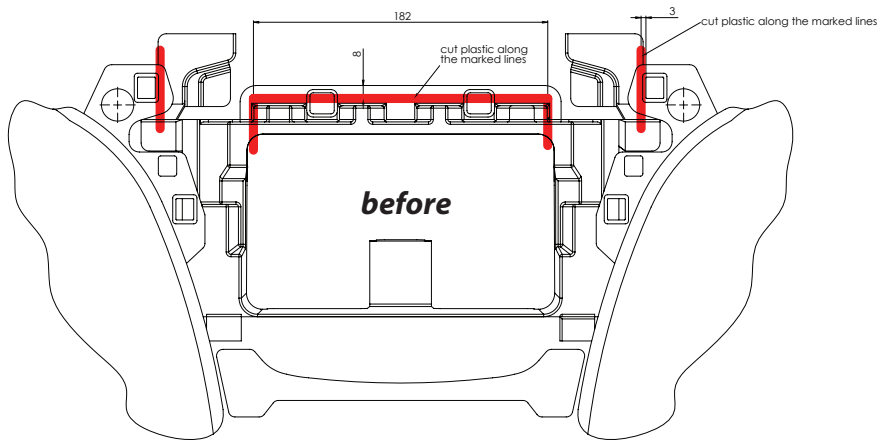
Fix them with four screws

**2-DIN navigation:**

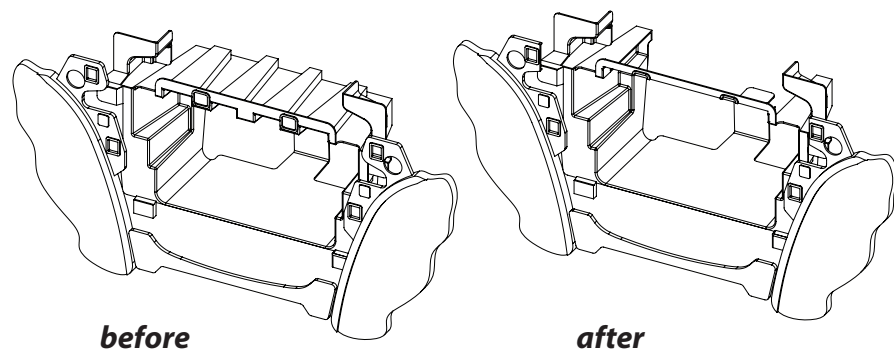
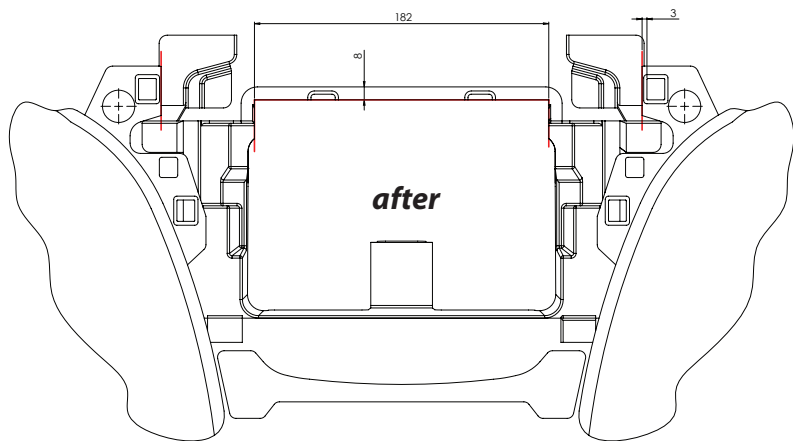


Attach mounting brackets to double DIN head unit

Fix them with four screws



10. Cut plastic from dash board in order to clear space for the double DIN head unit (see lines in the drawing)



11. Mount air condition control unit to double DIN fascia plate  
Mount small speaker to double DIN fascia plate



12. Remove switch for ESP (left) and switch for Park Distance Control (right). Put them to the openings at the top of double DIN fascia plate.



13. Fix mounting brackets to double DIN navigation.

Connect all required circuit points and mount double DIN head unit to dash board. Place fascia plate. Re-install everything in reverse order to finish installation