



BMW 1 Series (without NAV, with automatic climate control)

2008-2013

Visit MetraOnline.com for more detailed information about the product and up-to-date vehicle specific applications

KIT FEATURES

- ISO DDIN radio provision
- Painted scratch resistant matte black to match the factory finish

KIT COMPONENTS

- A) Radio housing • B) Radio brackets • C) Switch panel cover • D) Ribbon cable • E) Panel clips • D) Phillips screws (8)

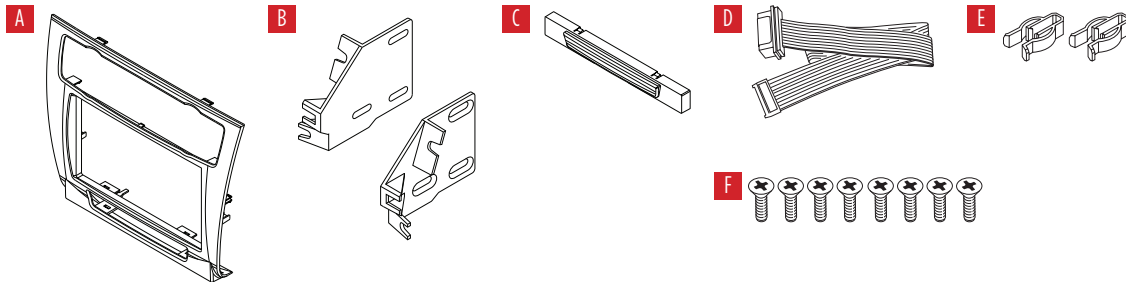


TABLE OF CONTENTS

Dash Disassembly	2-3
Kit Preparation	4
Kit Assembly	5

WIRING & ANTENNA CONNECTIONS (sold separately)

Wiring Harness: Please visit metraonline.com for wiring harness options
 Antenna Adapter: 40-EU10

TOOLS REQUIRED

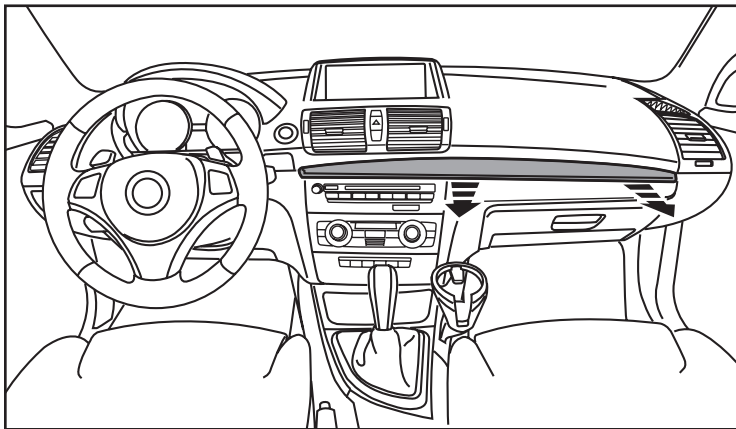
- Panel removal tool • Phillips screwdriver
- Cutting tool

Attention! With the key out of the ignition, disconnect the negative battery terminal before installing this product. Ensure that all installation connections are secure before cycling the ignition to test this product.

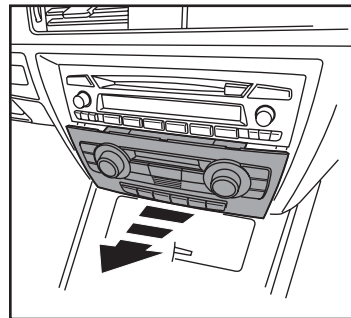
DASH DISASSEMBLY

1. Unclip and remove the dash trim panel above the radio and glove box. (Figure A)
2. Unclip the climate control panel then unplug and remove. (Figure B)

Continued on the next page



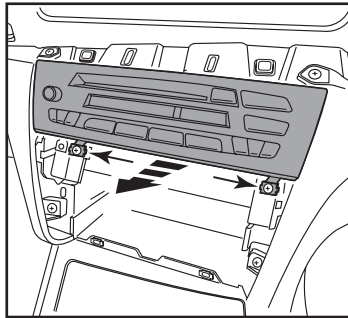
(Figure A)



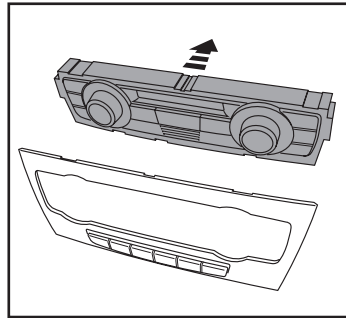
(Figure B)

DASH DISASSEMBLY (CONT.)

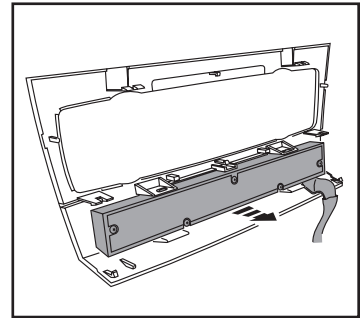
3. Remove (2) screws securing the bottom of the radio, then unplug and remove the radio. (Figure C)
4. Unclip the climate controls from the climate control panel and save for reassembly. (Figure D)
5. Unclip and remove the switch panel below the climate controls (if equipped) (Figure E).



(Figure C)



(Figure D)



(Figure E)

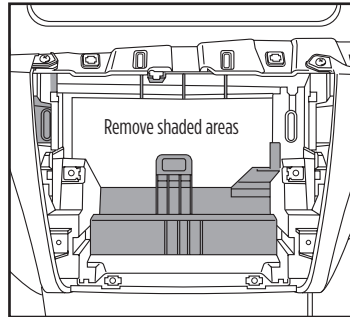
Continue to Kit Preparation

KIT PREPARATION

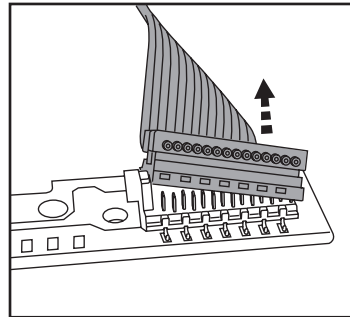
1. Using a cutting tool, remove the sections of sub-dash indicated to provide clearance for the radio and climate controls. (Figure A)
2. Install the (2) **panel clips** to the radio housing.

For models with a switch panel below the climate control.

2. Remove (5) screws securing the switch panel back plate, then remove the switch panel circuit board.
3. Unplug the ribbon cable from the circuit board. (Figure B)



(Figure A)



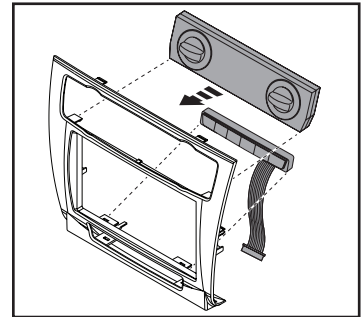
(Figure B)

4. Attach the **White** connector from the **ribbon cable** supplied with the kit to the circuit board.
5. Reinstall the circuit board back into the switch panel.
6. Clip the climate control panel, and switch panel, into the radio housing. (Figure C)
7. Attach the **Black** connector from the **ribbon cable** to the climate control panel. (Figure D)

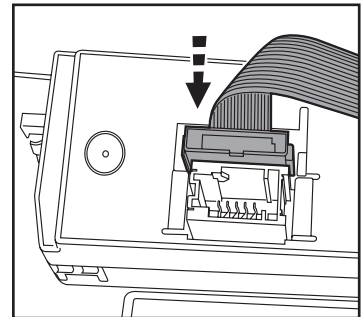
For models without a switch panel below the climate control.

8. Clip the switch panel cover to the radio trim panel.
9. Disregard the ribbon cable, it will not be used in this application.

Continue to Kit Assembly



(Figure C)



(Figure D)

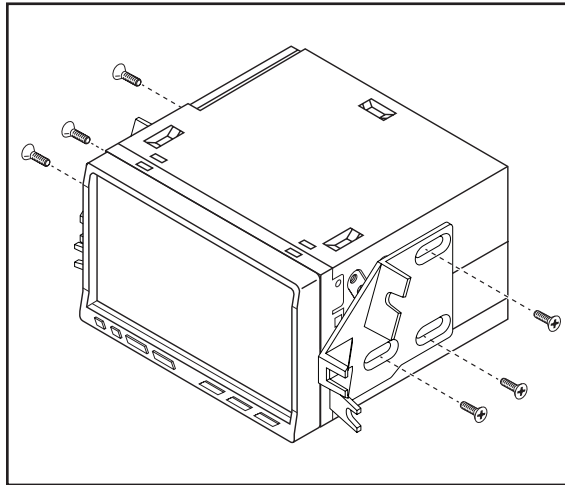
KIT ASSEMBLY

ISO DDIN radio provision

1. Attach the **radio brackets** to the radio using the screws supplied with the radio. (Figure A)

Note: Radio mounting screws must be flush with the mounting brackets. Countersunk flat-head screws have been provided if needed. (Figure A)

2. Locate the factory wiring harness and connector in the dash and complete all necessary connections to the radio. Metra recommends using the proper mating adapter from Metra and/or Axxess. Test the radio for proper operation.
3. Secure the completed assembly into the dash with the factory screws.
4. Reassemble the dash in reverse order of disassembly using **radio trim panel** assembly to complete the installation.



(Figure A)







95-9327B
INSTALLATION INSTRUCTIONS



Having difficulties? We're here to help.



Contact our Tech Support line at:

386-257-1187



Or via email at:

techsupport@metra-autosound.com

Tech Support Hours (Eastern Standard Time)

Monday - Friday: 9:00 AM - 7:00 PM

Saturday: 10:00 AM - 7:00 PM

Sunday: 10:00 AM - 4:00 PM



KNOWLEDGE IS POWER

Enhance your installation and fabrication skills by enrolling in the most recognized and respected mobile electronics school in our industry. Log onto www.installerinstitute.com or call 800-354-6782 for more information and take steps toward a better tomorrow.



**Metra recommends MECP
certified technicians**