

# EXPRESS

## 165 EC

### Woofer

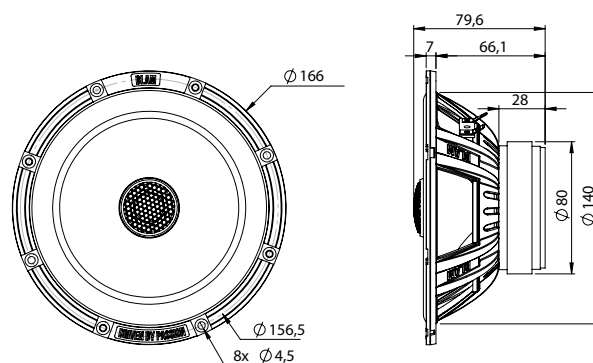
- Woofer 6-1/2" (165 mm)
- Max power 120 W / Nom. power 60 W
- Frequency response 65 Hz - 31 KHz
- Sensibility 93,3 dB
- Impedance 2 Ohms

#### TECHNICAL SPECIFICATIONS

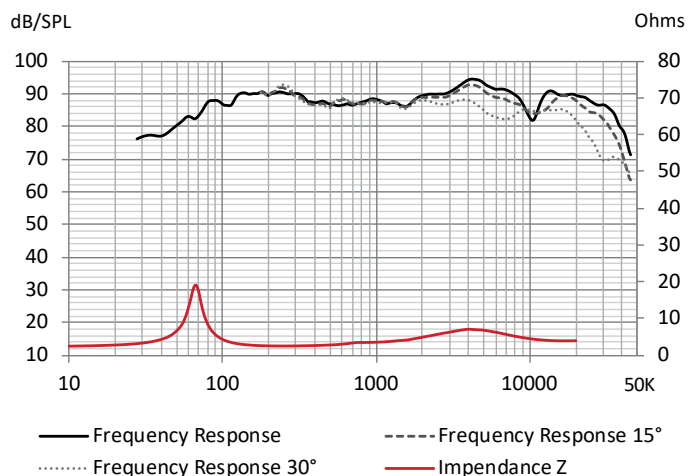
Component	Speakers	
Max power	120 W	
Nominal power	60 W	
Impedance	2 Ω	
Freq. Response	65 Hz - 31 KHz	
Sensitivity (2,83V/1m)	93.3 dB	
Magnet	Ferrite	
Magnet size Ø x h	80 x 15 mm	3.150" x 0.591"
Total driver displacement	0.2 l	0.007 cf
Weight of one component	0.897 kg	1.978 lb
Voice coil Ø	25 mm	0.984"
Voice coil height	10.6 mm	0.417"
Cone	Cellulose pulp	



Unit : mm



#### FREQUENCY RESPONSE / IMPEDANCE



#### THIELE-SMALL PARAMETERS

effective Ø (d)	130 mm
Sd	132.73 cm <sup>2</sup>
Xmax	2.8 mm
Re	2.5 Ω
Fs	67.66 Hz
Le	0.82 µH @ 1 kHz
L2	696.80 µH @10 kHz
Vas	11.02 L
Mms	12.42 g
Cms	0.000445 m/N
BL	4.18 Tm
Qts	0.67
Qes	0.78
Qms	4.52
Sensitivity (dB/W/m)	88.3 dB