

# RELAX



Driven by passion.

## 130 RFC

Coaxial speaker

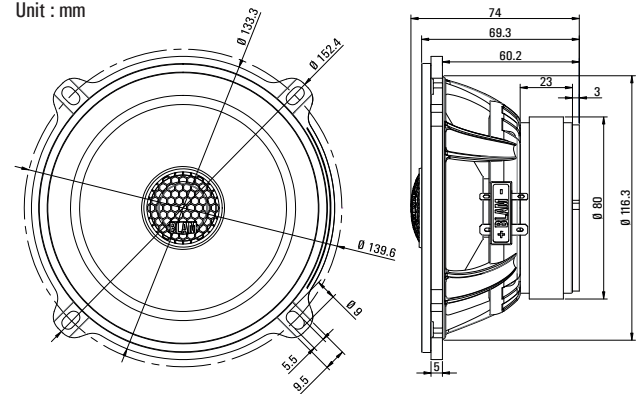
- 130mm (5.25") component
- Max. power 120 W / Nominal Power 60 W
- Frequency response 80 Hz - 28 kHz
- Impedance 2  $\Omega$



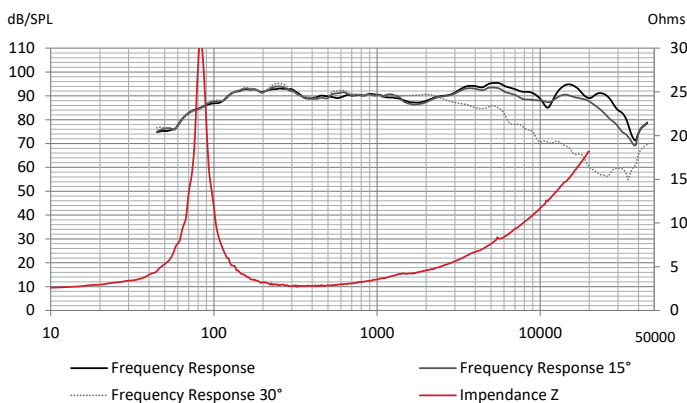
### TECHNICAL SPECIFICATIONS

Component	Speaker	
Max power	120 W	
Nominal power	60 W	
Impedance	2 $\Omega$	
Freq. Response	80 Hz - 10 kHz	
Sensitivity (2,83V/1m)	91 dB	
Magnet	Ferrite	
Motor size $\varnothing$ x h	80 x 15 mm	3.1 "x 0.6 "
Total driver displacement	0.11 l	0.004 cf
Weight of one component	0.745 kg	1.642 lb
Voice coil $\varnothing$	25 mm	0.984"
Voice coil height	11.0 mm	0.433"
Cone	Cellulose pulp	

Unit : mm



### FREQUENCY RESPONSE / IMPEDANCE



### THIELE-SMALL PARAMETERS

effective $\varnothing$ (d)	109 mm
Sd	93.31 cm <sup>2</sup>
Xmax	3.5 mm
Re	2.58 $\Omega$
Fs	83.25 Hz
Le	111.38 $\mu$ H @ 1 kHz
L2	185.85 $\mu$ H @ 10 kHz
Vas	5.77 L
Mms	7.75 g
Cms	0.471823 m/N
BL	4.14 Tm
Qts	0.56
Qes	0.61
Qms	6.75
Sensitivity	89 dB