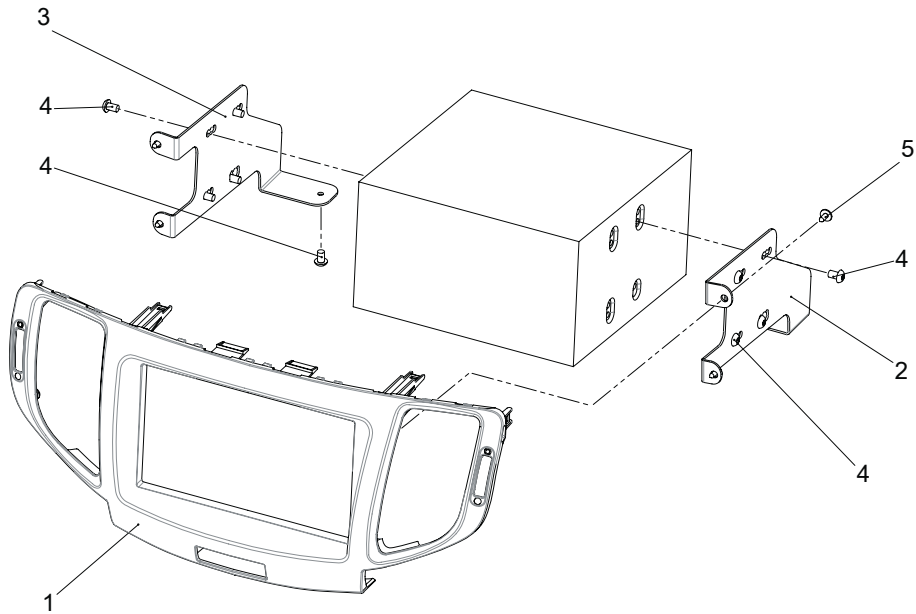


• **Honda Accord 2011->**

Compatible with these devices

**Double DIN Navigation**



Double DIN Kit contents

- (1) Facia Plate
- (2) Mounting Bracket right

- (3) Mounting Bracket left
- (4) Flat headed screw
- (5) Self-Tapping screw with collar



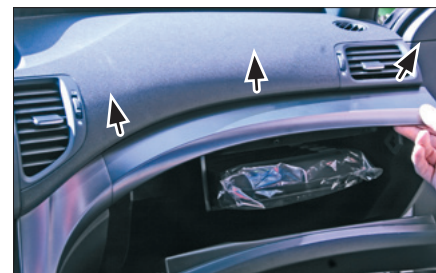
1. Unclip panel under gear lever



2. Turn panel aside and remove plugs carefully (see arrow)



3. Remove screws around gear lever in order to remove panel



4. Unclip side panels

## 50-897 - Installation Manual Double DIN Kit



5. Remove screws of inner side panels

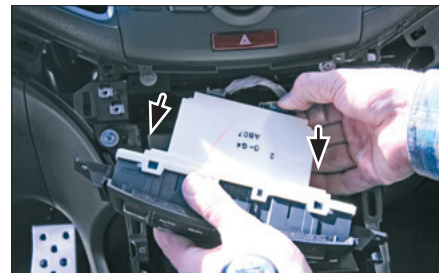


6. Remove screws of inner side panels beside gear lever

Remove side panels



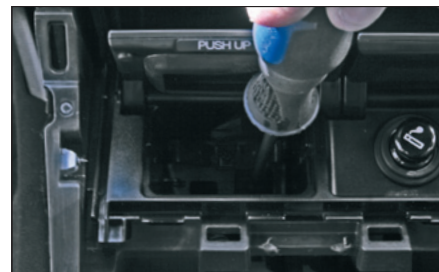
7. Remove screws of air condition control unit



8. Remove air condition control unit (unplug cables carefully)



9. Remove ashtray box



10. Remove screw underneath cigarette lighter

Remove complete cigarette lighter unit



11. Unplug cables carefully

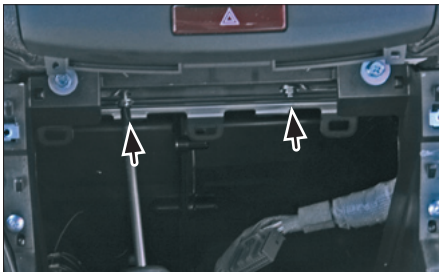
## 50-897- Installation Manual Double DIN Kit



12. Remove 2 screws (see arrows)



13. Remove screws (see arrows)



14. Remove screws below OEM head unit (see arrows)



15. Remove OEM head unit by pulling it towards your direction



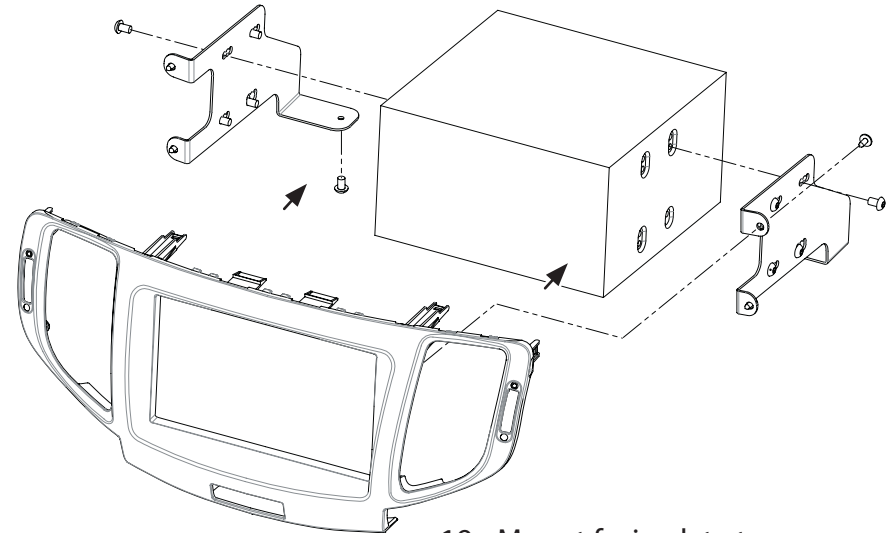
16. uninstall hazard light switch



17. uninstall OEM air vents

Mount air vents and hazard light switch to facia plate

18. Mount mounting frames to Double DIN head unit

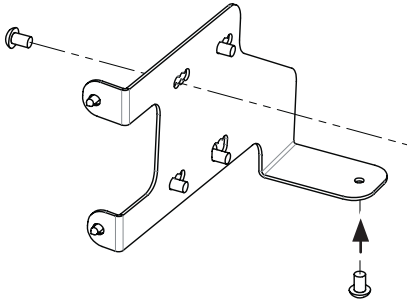


19. Mount facia plate to Double-DIN Navigation

## 50-897 - Installation Manual Double DIN Kit



20. Connect all required circuit points  
Push Double DIN navigation to  
dash board



21. Fix Double DIN navigation to  
vehicle dashboard from  
underneath (see arrow)