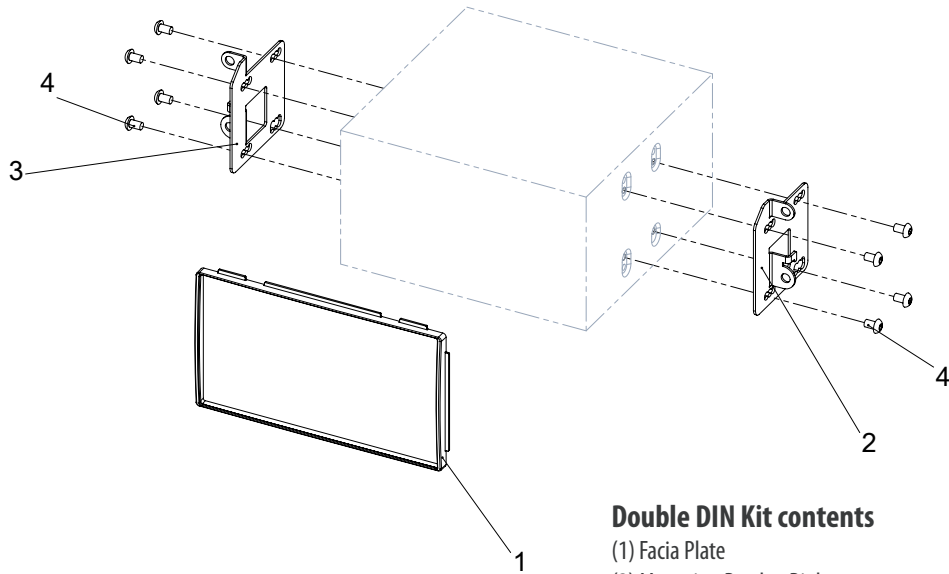
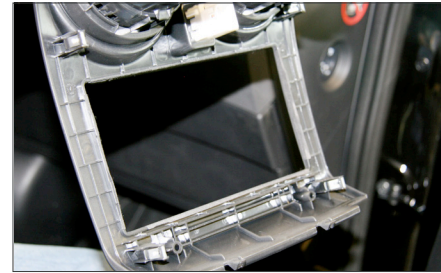


# 50-685 - Installation Manual for Double DIN Kit Nissan Qashqai

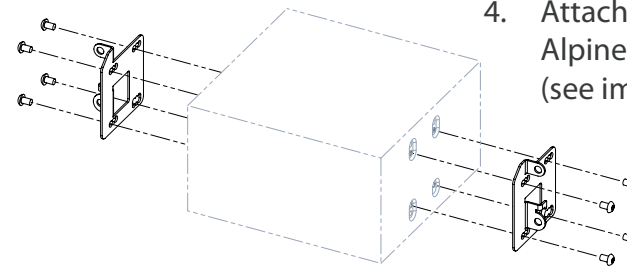
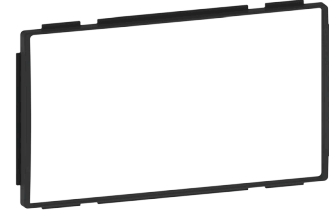


### Double DIN Kit contents

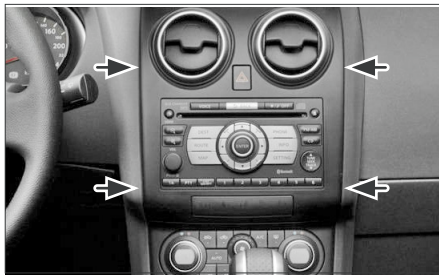
- (1) Facia Plate
- (2) Mounting Bracket Right
- (3) Mounting Bracket Left
- (4) Flat Headed Screw



3. Place trim frame on OEM panel (from behind)



4. Attach mounting brackets to Alpine Double-DIN Navigation (see image below)



1. Unclip and remove panel



2. Remove OEM head unit



5. Place double DIN navigation, connect all required circuit points. fix it with OEM screws.

Place OEM panel to finish installation