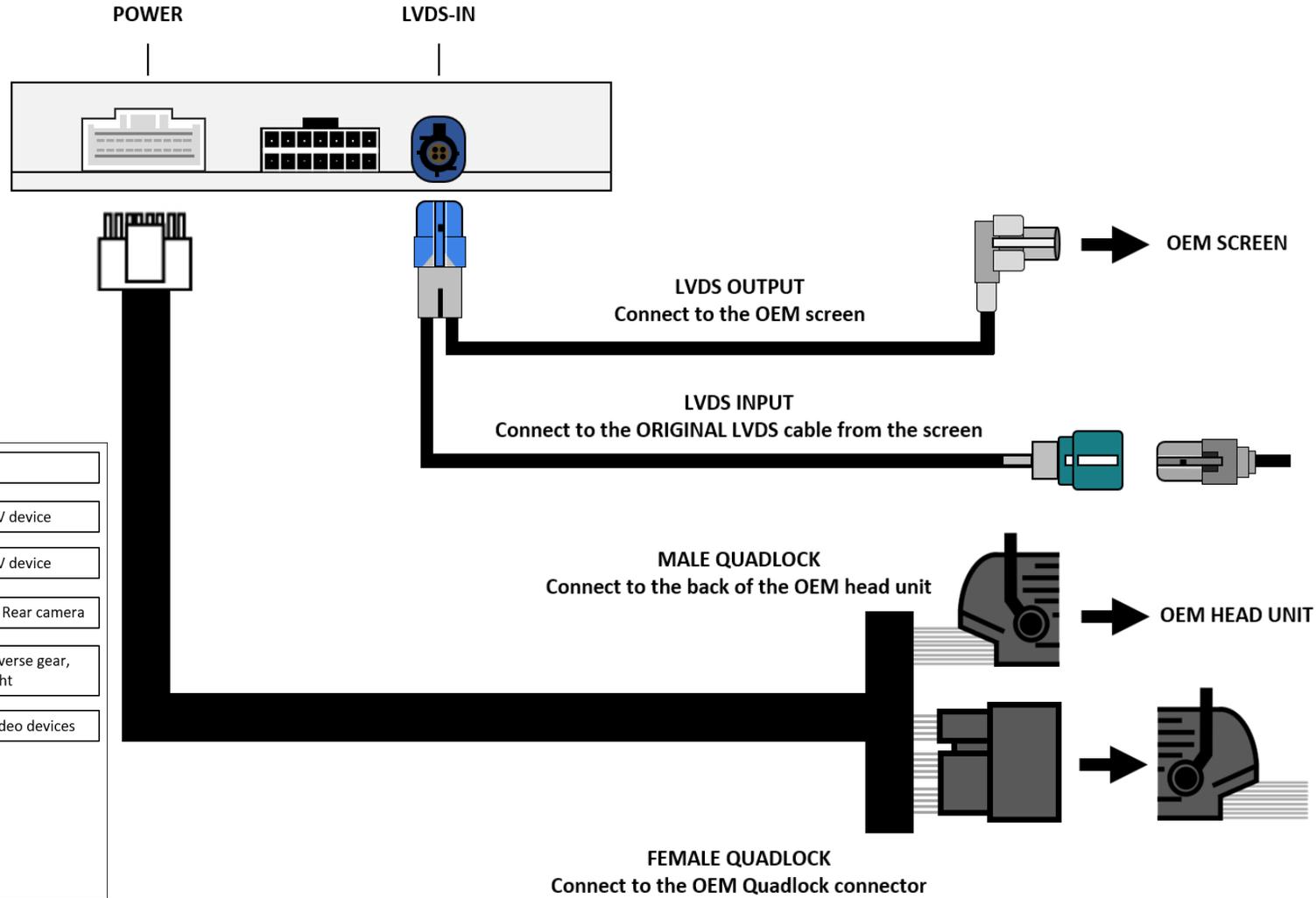


CONNECTION DIAGRAM



— WHITE	IR, N/A
— DVR GND	Supply power for external A/V device
— DVR B+	Supply power for external A/V device
— REV POW	Camera 12V out, power supply for Rear camera
— 360 DET	If screen doesn't switch upon reverse gear, connect to reversing light
— DVR ACC	Power supply for DVR or other video devices
— F VIDEO	Front Camera In
— BACKACAR VIDEO	Rear Camera In
— DVR VIDEO	DVR Camera In

DIP SWITCH SETTINGS

Please disconnect & reconnect interface power after changing any DIP setting

DIP	ON ↓	OFF ↑
1	Selection of function	
2		
3	Display front view camera for 10S automatically after shifted from "R" gear	Disable front view
4	Enable video-3	Disable video-3
5	Selection of car model	
6		
7		
8	Always set to OFF ▲	

Function	DIP	1	2
Factory rear camera		OFF ▲	OFF ▲
Aftermarket rear camera (CAN bus control)		OFF ▲	ON ▼
Aftermarket rear camera (reversing lights control)		ON ▼	OFF ▲

Model	DIP	5	6	7
2019 C4 Aircross, C3-XR (9 inch)		ON ▼	ON ▼	OFF ▲
2019 DS7, 508 (10 inch)		ON ▼	ON ▼	ON ▼
2019 Partner, Rifter (9 inch)		ON ▼	ON ▼	OFF ▲
2019 Partner, Rifter (10 inch)		ON ▼	ON ▼	ON ▼



DISPLAYING VIDEO -3

Make sure DIP number 4 is "ON", press and hold the "LIST" button on the steering wheel or "MENU" for 3 Seconds to display external video.