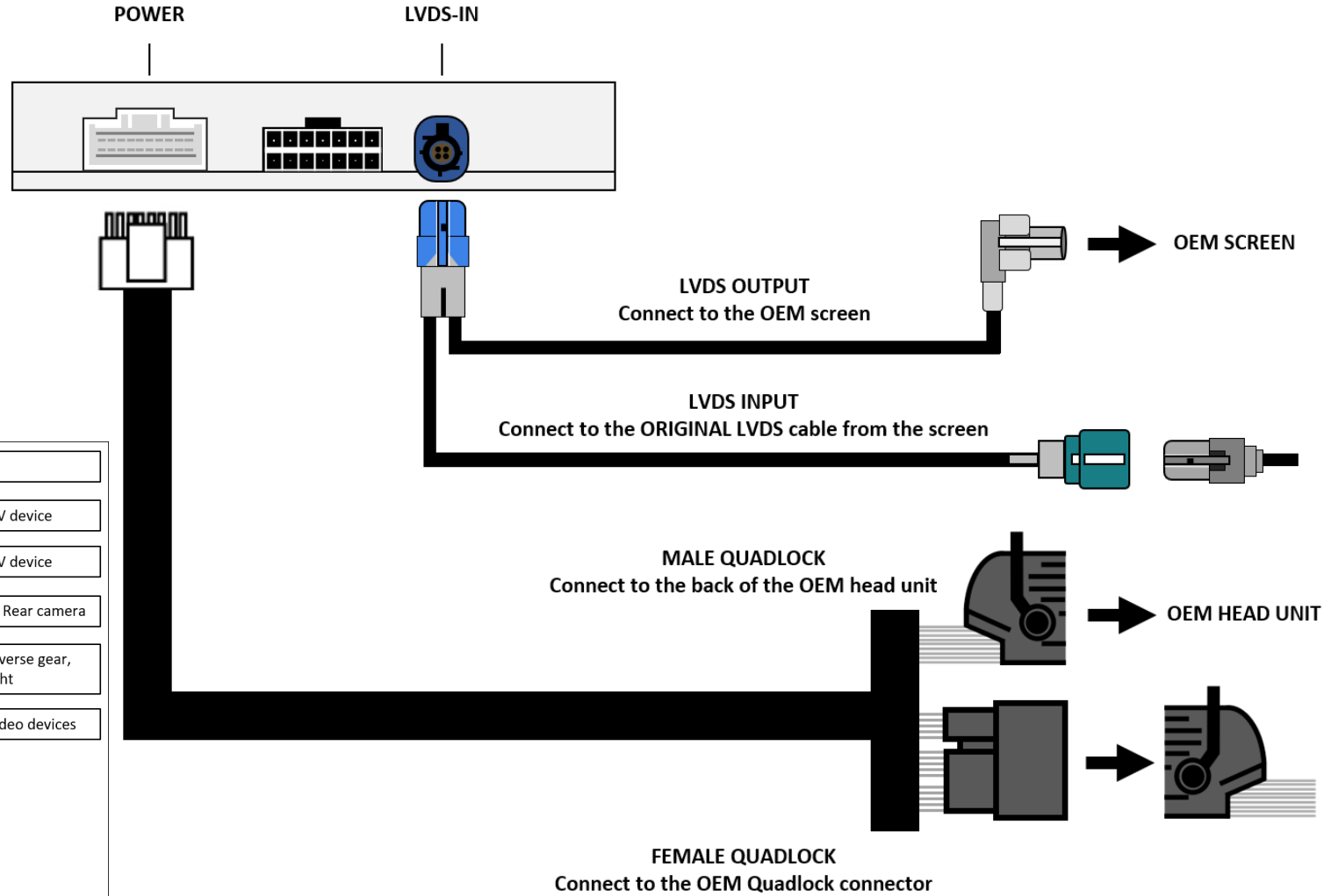


CONNECTION DIAGRAM



	WHITE	IR, N/A
	DVR GND	Supply power for external A/V device
	DVR B+	Supply power for external A/V device
	REV POW	Camera 12V out, power supply for Rear camera
	360 DET	If screen doesn't switch upon reverse gear, connect to reversing light
	DVR ACC	Power supply for DVR or other video devices
	F VIDEO	Front Camera In
	BACKACAR VIDEO	Rear Camera In
	DVR VIDEO	DVR Camera In

DIP SWITCH SETTINGS

Please disconnect & reconnect interface power after changing any DIP setting

DIP	ON ↓	OFF ↑
1	Selection of function	
2		
3	—	
4	Enable video-3	Disable video-3
5	Selection of car model	
6		
7	Display front view camera for 10S automatically after shifted from "R" gear	Disable front view
8	—	

Function	DIP 1	DIP 2
Factory rear camera	OFF ▲	OFF ▲
Aftermarket rear camera (CAN bus control)	OFF ▲	ON ▼
Aftermarket rear camera (reversing lights control)	ON ▼	OFF ▲

Model	DIP 5	DIP 6
Peugeot 308, 408, Citroen C4 Cactus	OFF ▲	OFF ▲
Peugeot 4008, 5008 / Citroen C6	OFF ▲	ON ▼
Citroen C4 C-Quatre	ON ▼	OFF ▲
Citroen C4 Aircross / 2019 Peugeot 508 / DS7	ON ▼	ON ▼



DISPLAYING VIDEO -3

Make sure DIP number 4 is "ON", press and hold the "LIST" button on the steering wheel or "MENU" for 3 Seconds to display external video.