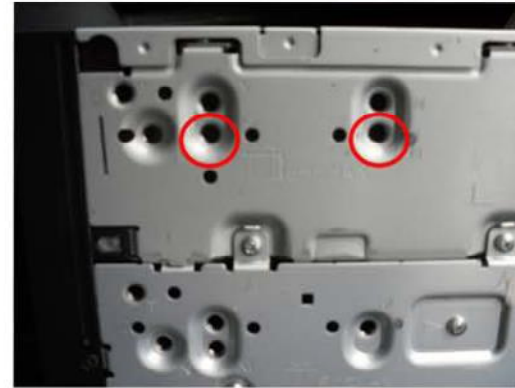


Installation Manual:  
Mercedes C Class W204 2007>

**CODE 46.151**



1. Mount the brackets (E) to both sides of the Pioneer head unit.



The holes in which the bracket should be screwed are circled

Kit Includes:

- 1: Fascia trim x1
- 2: Pair of brackets x1
- 3: Blank relocation buttons (Left, Middle, Right) x3
- 4: Relocation panel x1
- 5: Relocation lead x1
- 6: Screws x4



Right



Left

# CODE 46.151



Remove airvents and disconnect the two Blue connectors from underneath vents.

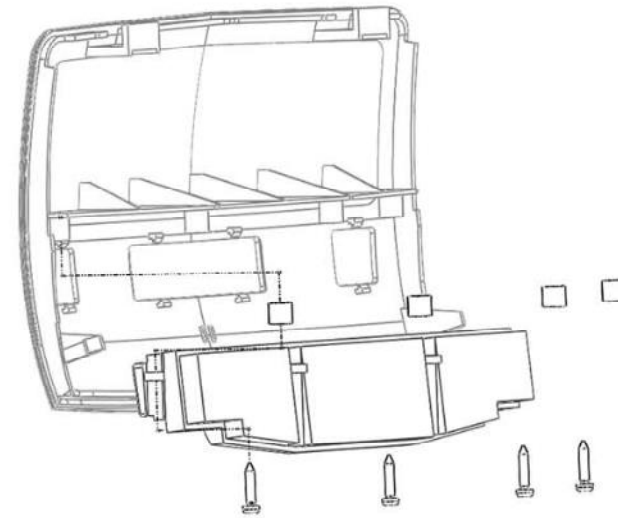
Guide the head unit from the dash. There are runners as shown bellow.



# CODE 46.151



Detach the clips as shown above on bellow



Disassemble buttons to relocation pannel

## CODE 46.151



Using lead 382 to extend OEM wiring from buttons to new location



Ensure all wires are clear of the aperture. Slide the head unit back into the dash. Ensure that the guide knobs are lined up with the guide rails as shown.



Install the screw base by locating the screws from the display removal.

## CODE 46.151

1



Reconnect the two Blue connectors to the airvent panel

2



Slide airvent panel back into the place.

3



Install New Relocation Panel . The panel is very tight to clip in place, you will need to clip the top hooks first then lower clips.