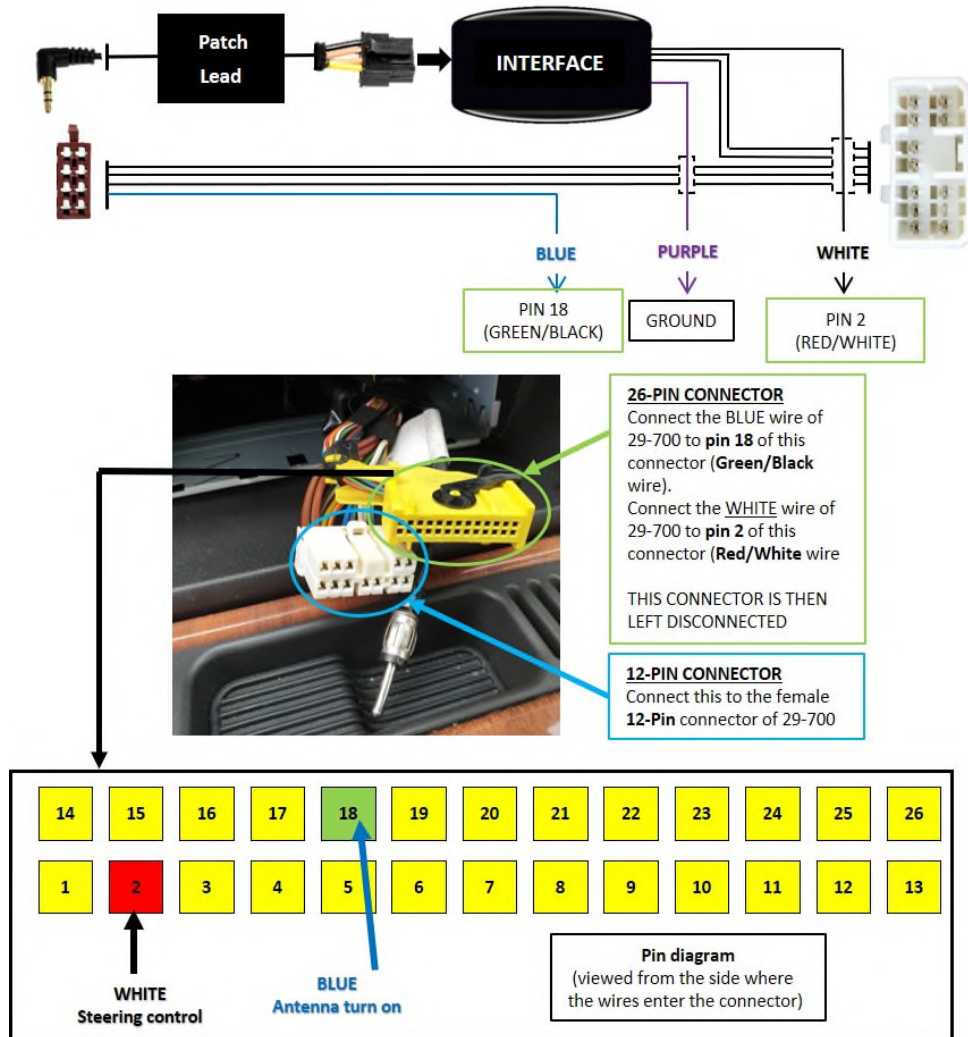


29-700-PRE

Steering Control Interface for Jaguar XK8 with Premium Audio

Cars with premium audio have only 4 wires in the white 12 way connector. This is because the speakers are driven from the amplifier and not the head-unit. An amplifier bypass cable is needed with this interface. Use item code 20-310 (convertible) or 20-311 (Coupe).



1. Ensure your vehicle's ignition is off with the key removed.
2. Remove the original Head Unit (radio) with reference to the manufacturer's instructions.
3. Assemble the Patch Lead (**NOT SUPPLIED IN 29-700**) so that it is compatible with the Head Unit being installed.
4. Connect the patch lead to the Steering Control Interface (**Black box on 29-700 harness**). **THIS MUST BE DONE FIRST BEFORE ANY OTHER CONNECTIONS.**
5. Remove the Yellow 26-way connector from the year of Original the head unit and remove the yellow cover to be able to access the wires
6. Looking at the diagram above, connect the **White wire to pin 2** and the **Blue wire to pin 18**. Use Solder or heatshrink splices
7. Disconnect the white male connector from the rear of the original Head Unit and connect the white female connector of the **29-700** harness to this.
8. Connect the two ISO connectors to the **NEW HEAD UNIT**.
9. **CONNECT THE PURPLE WIRE to GROUND**
10. Test the system fully ensuring all controls function before refitting the new Head Unit.