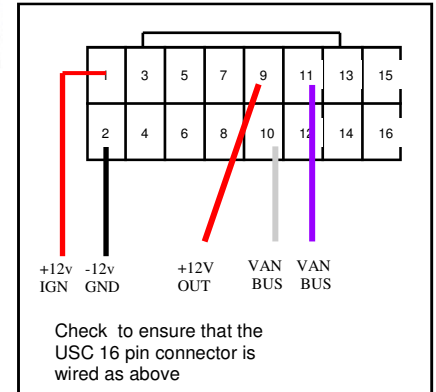
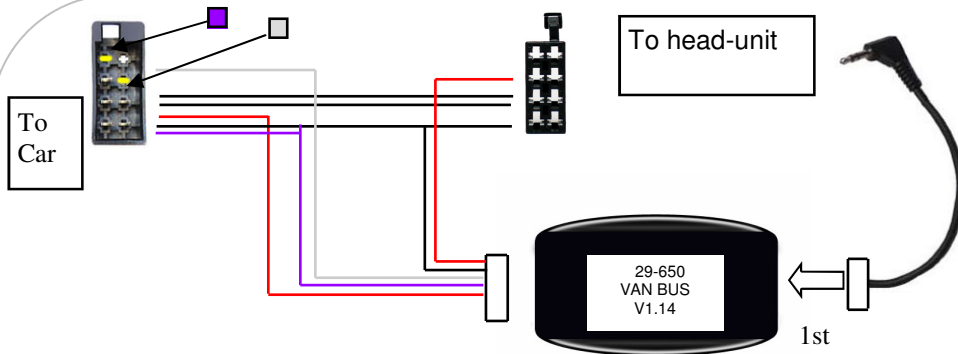


**1-ALWAYS CONNECT THE HEAD-UNIT CABLE ADAPTER 1st before ignition is turned on!**

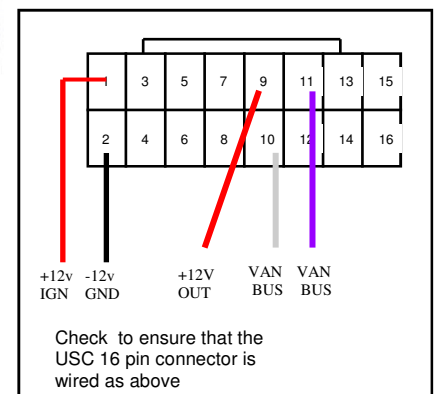


1. Choose a head-unit adapter from the list overleaf and connect it to the USC black box.
2. **Important.** Disconnect the main BATTERY supply to the car!
3. Remove the OEM head-unit and identify the audio connector and ensure it mates correctly with the connector supplied with the 29 series cable.
4. Connect the 29 series cable to the car and to the ISO connectors on the new radio.
5. Reconnect the battery & then turn on ignition
6. Test unit before fully fitting radio and trims back.
7. You will need to reset the cars clock display. Make sure car door is closed when resetting.

**If Problems:** Check that correct adapter has been used and links are in the correct place. Always disconnect from the power supply if you change the head-unit adapter lead. Check that Black box is providing a 12V switch supply to the car. Check that head-unit is earthed and black wire is earth. Check all connections are the same as the wiring diagram shown here .  
**IN SOME CITROEN CARS THE DISPLAY WILL NOT RESET WITHOUT ASKING CAR DEALER TO CHANGE THE COMPUTER SETTINGS**



**1-ALWAYS CONNECT THE HEAD-UNIT CABLE ADAPTER 1st before ignition is turned on!**



1. Choose a head-unit adapter from the list overleaf and connect it to the USC black box.
2. **Important.** Disconnect the main BATTERY supply to the car!
3. Remove the OEM head-unit and identify the audio connector and ensure it mates correctly with the connector supplied with the 29 series cable.
4. Connect the 29 series cable to the car and to the ISO connectors on the new radio.
5. Reconnect the battery & then turn on ignition
6. Test unit before fully fitting radio and trims back.
7. You will need to reset the cars clock display. Make sure car door is closed when resetting.

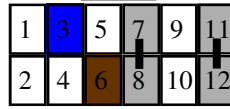
**If Problems:** Check that correct adapter has been used and links are in the correct place. Always disconnect from the power supply if you change the head-unit adapter lead. Check that Black box is providing a 12V switch supply to the car. Check that head-unit is earthed and black wire is earth. Check all connections are the same as the wiring diagram shown here .  
**IN SOME CITROEN CARS THE DISPLAY WILL NOT RESET WITHOUT ASKING CAR DEALER TO CHANGE THE COMPUTER SETTINGS**

CHOOSE THE CORRECT HEAD-UNIT ADAPTER FROM THOSE BELOW

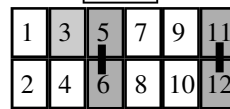
29-001 Alpine



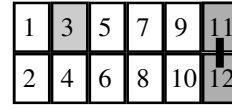
29-002 Blaupunkt



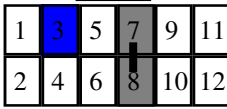
29-003 Clarion



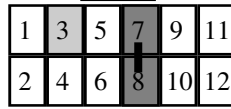
29-004 JVC



29-005 Kenwood  
Single wire



29-005D Kenwood  
4 pin DIN Plug



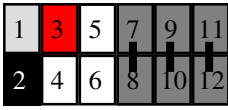
29-006 Panasonic  
Standard CD units



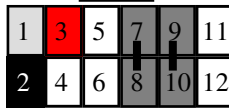
29-006A Panasonic  
AV head-units



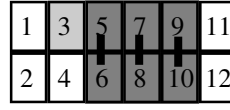
29-009 Siemens  
VDO



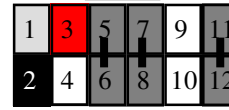
29-008 Sony  
3v & 5v units



29-011 Zenec



29-020 Pioneer &  
Sony



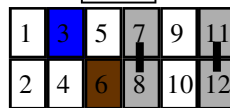
Special external drive  
PCB version

CHOOSE THE CORRECT HEAD-UNIT ADAPTER FROM THOSE BELOW

29-001 Alpine



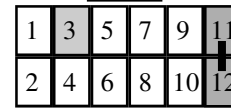
29-002 Blaupunkt



29-003 Clarion



29-004 JVC



29-005 Kenwood  
Single wire



29-005D Kenwood  
4 pin DIN Plug



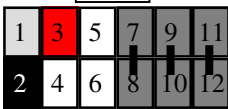
29-006 Panasonic  
Standard CD units



29-006A Panasonic  
AV head-units



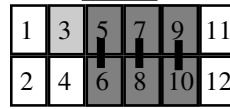
29-009 Siemens  
VDO



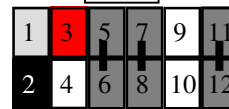
29-008 Sony  
3v & 5v units



29-011 Zenec



29-020 Pioneer &  
Sony



Special external drive  
PCB version