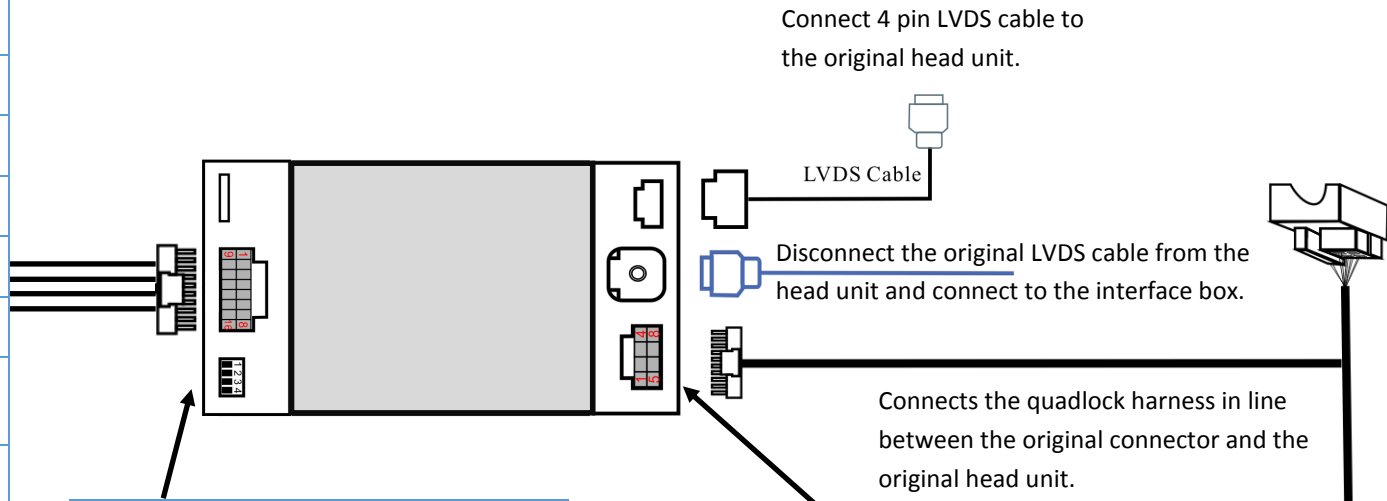


27-554

Mercedes NTG4.5 camera input interface



9: Rear video -	1: Front video -
10: Rear video +	2: Front video +
11: n/c	3: n/c
12: n/c	4: n/c
13: n/c	5: Reverse trigger in
14: Ground	6: n/c
15: +12V output power supply for camera	7: n/c
16: +12V constant output	8: +12V output accessory



Switch 1 ON	Front camera on*
Switch 1 OFF	Front camera off
Switch 2 ON	DVR on**
Switch 2 OFF	DVR off
Switch 3 ON	IPAS off
Switch 3 OFF	IPAS on***
Switch 4 ON	800x480 resolution
Switch 4 OFF	400x240 resolution

4: +12V input	8: n/c
3: Can High	7: n/c
2: Can Low	6: n/c
1: Ground	5: n/c

Installation:

Make sure the key is out and the vehicle is off.

Remove the original head unit.

Disconnect the original LVDS connector from the head unit and connect it to the interface.

Connect the new LVDS lead from the interface to the original head unit.

Disconnect the quadlock at the head unit and fit the supplied quadlock T lead in line.

Connect the cameras to the camera input harness, this harness also supplies optional power outputs to the camera. Cars with manual gears may need the reverse trigger wire to be connected.

Test the interface, then refit the head unit.

The switches need to be set before the interface is powered. If the switches need to be changed the interface will need to be disconnected from the power to reset.

*enables auto switching to the front camera after the vehicle has been put into reverse gear then back into 1st/drive.

****CHECK DVR FEATURE**

***activates moving intelligent parking guidelines