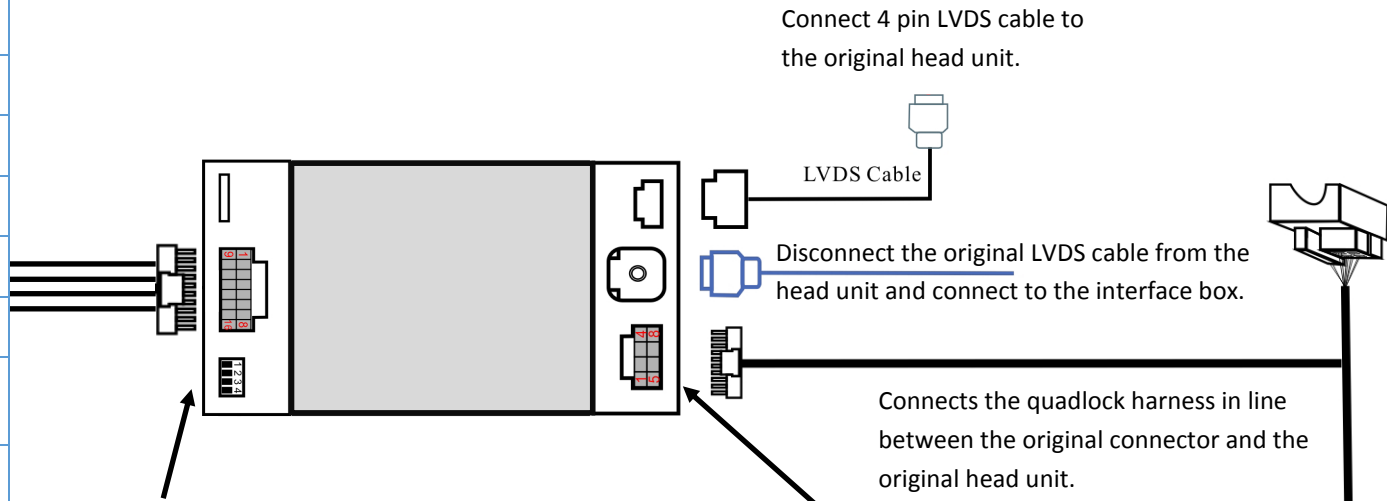


27-550

Volkswagen, Audi, Porsche camera input interface



9: Rear video -	1: Front video -
10: Rear video +	2: Front video +
11: n/c	3: n/c
12: n/c	4: n/c
13: n/c	5: Reverse trigger in
14: Ground	6: n/c
15: +12V output power supply for camera	7: n/c
16: +12V constant output	8: +12V output accessory



Installation:

Make sure the key is out and the vehicle is off.

Remove the original head unit.

Disconnect the original LVDS connector from the head unit and connect it to the interface.

Connect the new LVDS lead from the interface to the original head unit.

Disconnect the quadlock at the head unit and fit the supplied quadlock T lead in line.

Connect the cameras to the camera input harness, this harness also supplies optional power outputs to the camera. Cars with manual gears may need the reverse trigger wire to be connected.

Test the interface, then refit the head unit.

Switch 1	Switch 2	Switch 3	Car model
OFF	OFF	OFF	2016 A6
ON	OFF	OFF	2016 A4, Q7 (Asia)
OFF	ON	OFF	2016 A4, Q7, A5 (Europe)
ON	ON	OFF	2016 Q7, A5 8.2inch screen
OFF	OFF	ON	Golf VII, A3 800x480
ON	OFF	ON	Golf VII, A3 400x240
OFF	ON	ON	Macan PCM4.0
ON	ON	ON	Cayenne PCM4.0

4: +12V input	8: n/c
3: Can High	7: n/c
2: Can Low	6: n/c
1: Ground	5: n/c

Switch 4	OFF	Front camera input enabled
	ON	Manual video input enabled*

The switches need to be set before the interface is powered. If the switches need to be changed the interface will need to be disconnected from the power to reset.

*Activate with VOICE button on wheel.