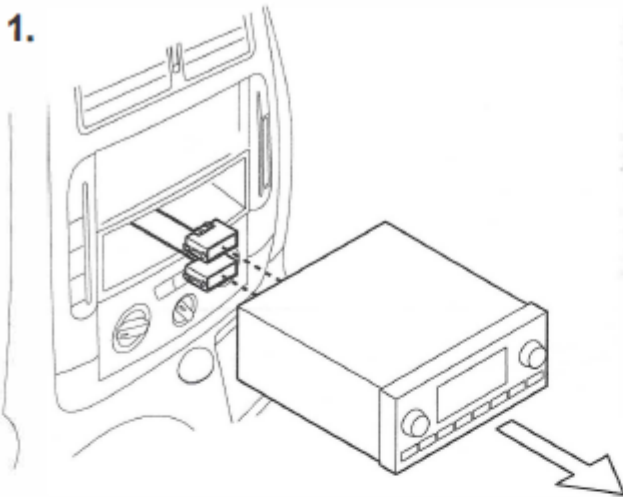


Installation instructions for NAVAMP

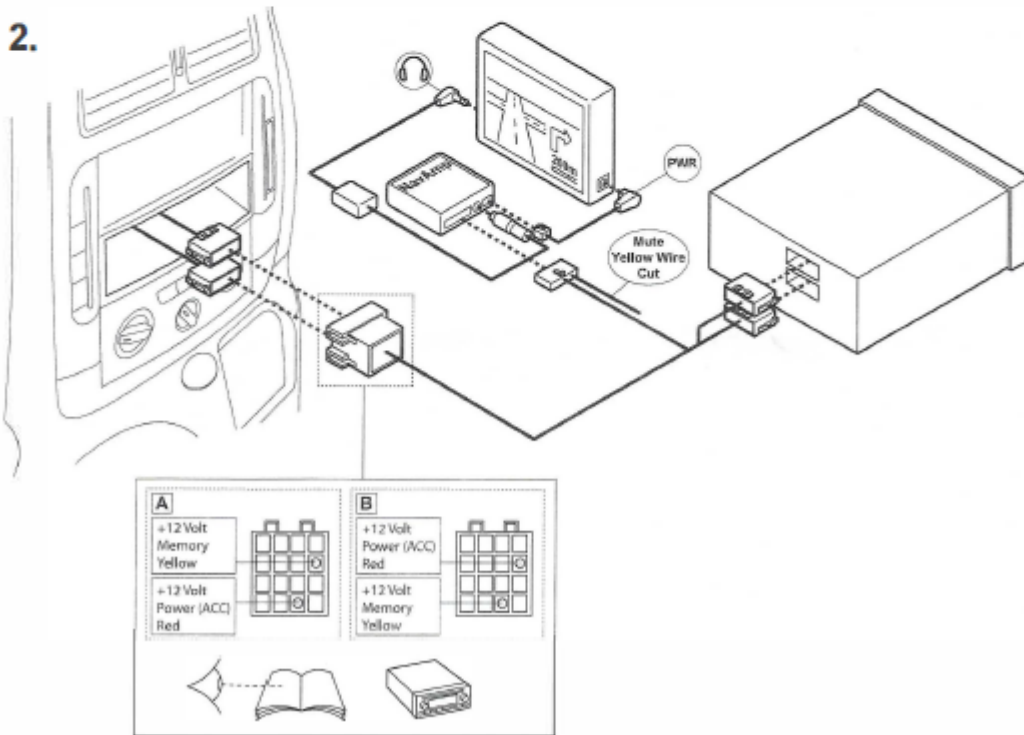
1.



[Faint, illegible text, likely bleed-through from the reverse side of the page.]

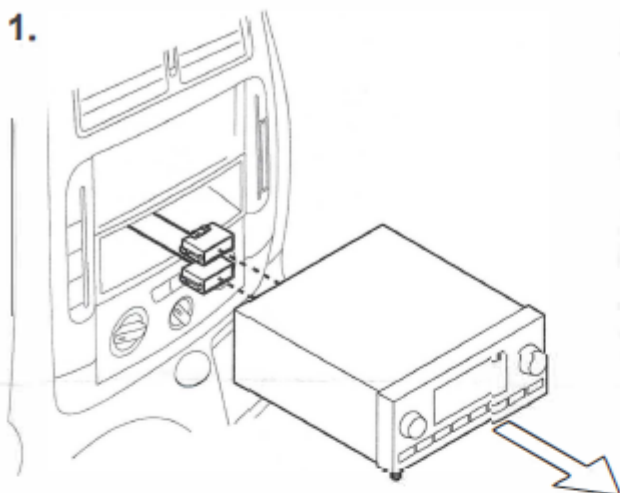
The NAVAMP interface must be connected to an ignition/accessory supply . If not it will not charge the device you plug into it and you will not get any audio from the device .

2.



Installation instructions for NAVAMP with hands free kit

1.



The NAVAMP interface must be connected to an ignition/accessory supply . If not it will not charge the device you plug into it and you will not get any audio from the device .

2.

